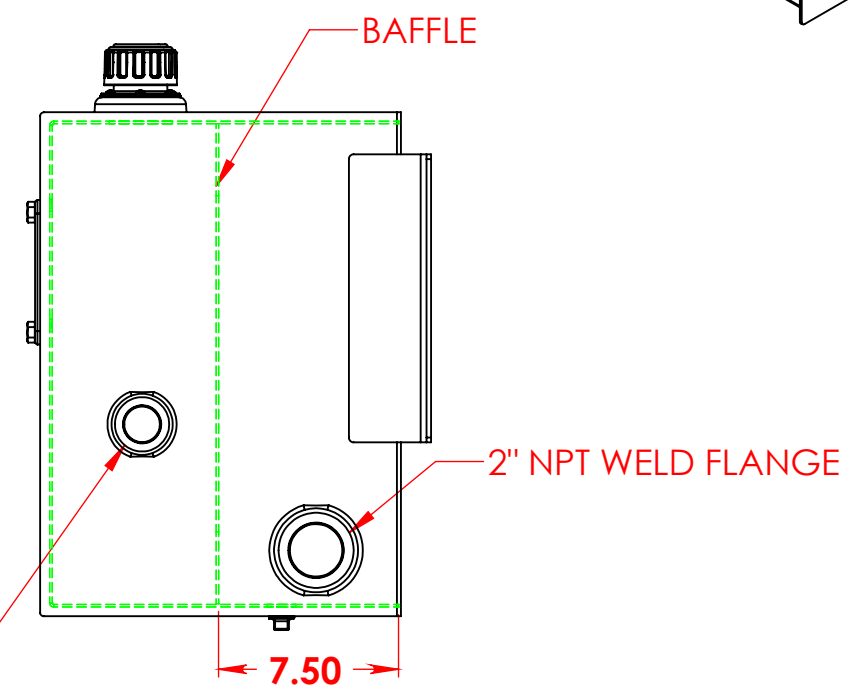
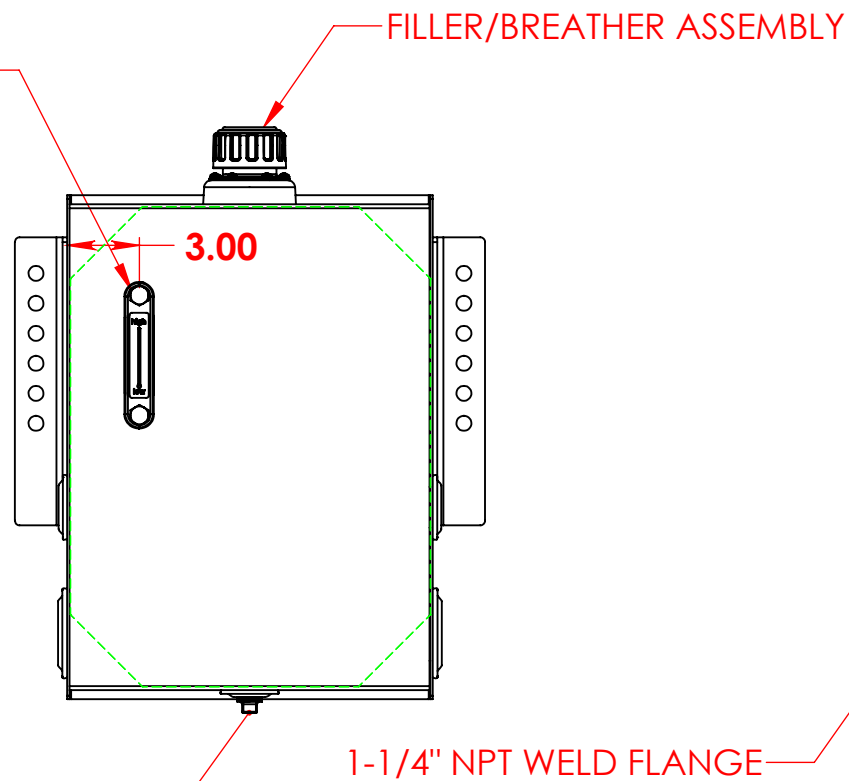
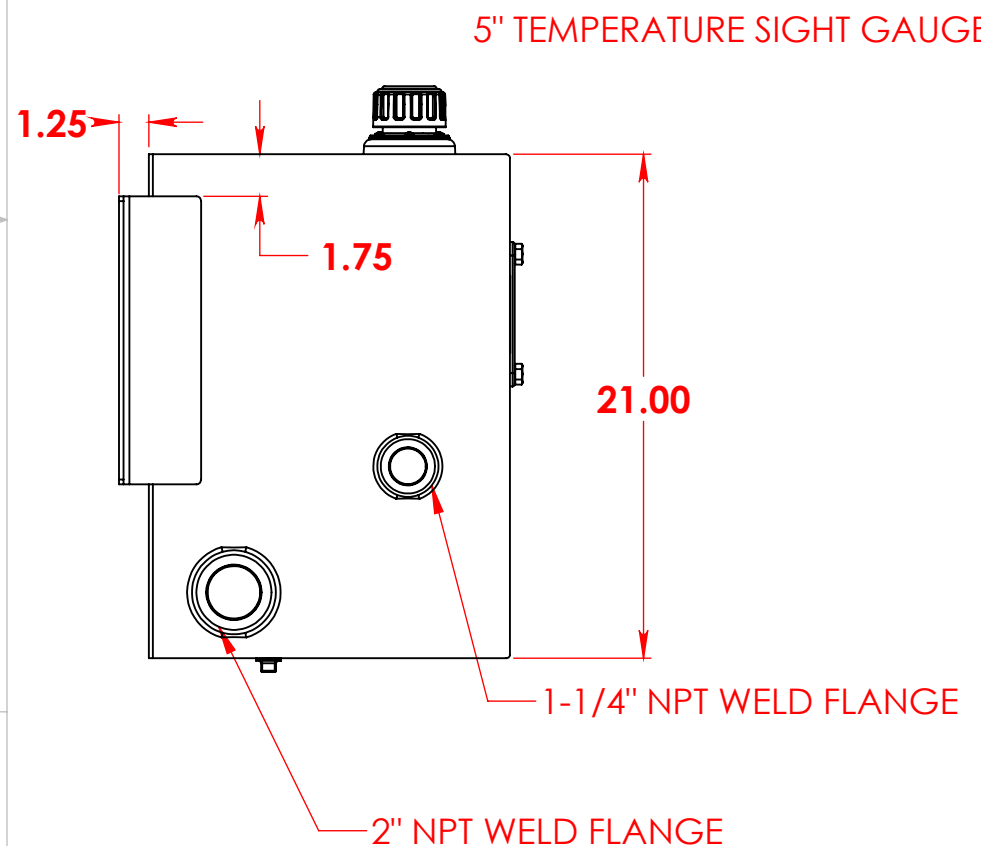
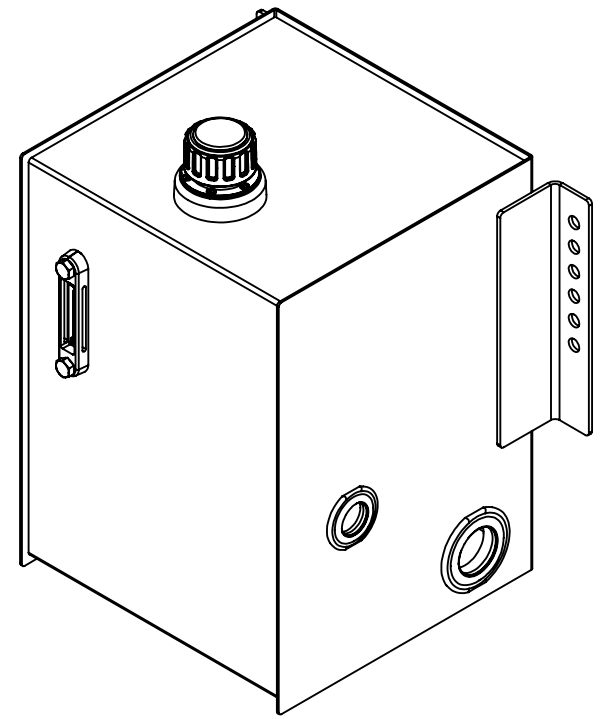
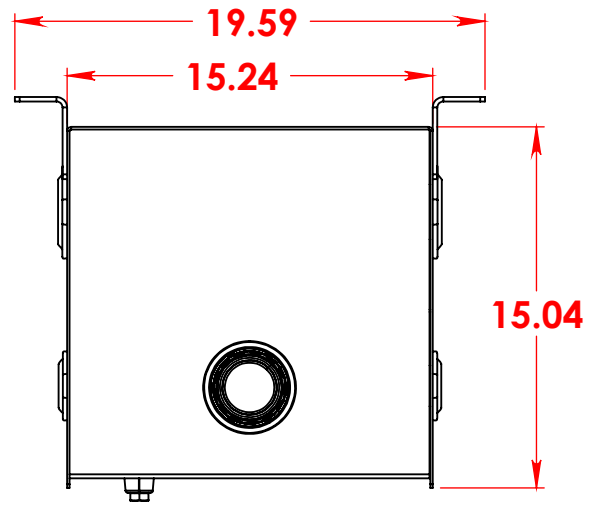


NOTES FOR STANDARD CONSTRUCTION:  
 ...PRESSURE TESTED @ 5psi.  
 ...INTERIOR FREE OF FOREIGN MATTER.  
 ...FILLER CAP, MAGNETIC DRAIN PLUG PROVIDED.  
 ...FULL BAFFLE(S) WHERE SHOWN.  
 ...ALUMINUM CONSTRUCTION:  
 5052-H32 1/8" ALUMINUM, BRIGHT FINISH.  
 ...ALL OPENINGS PLUGGED PRIOR TO SHIPPING



3/4" NPT WELD FLANGE & MAGNETIC DRAIN PLUG

**PROPRIETARY AND CONFIDENTIAL**  
 THE INFORMATION CONTAINED IN THIS  
 DRAWING IS THE SOLE PROPERTY OF  
 PROPOWER MFG. INC. ANY  
 REPRODUCTION IN PART OR AS A WHOLE  
 WITHOUT THE WRITTEN PERMISSION OF  
 PROPOWER MFG. INC. IS PROHIBITED.

UNLESS OTHERWISE SPECIFIED:		NAME	DATE
DIMENSIONS ARE IN INCHES		DRAWN	A.B 11/20/09
TOLERANCES:		CHECKED	
FRACTIONAL ± 1/16		ENG APPR.	
ANGULAR: MACH ± 1° BEND ± 1°		MFG APPR.	
TWO PLACE DECIMAL ± .06		Q.A.	
THREE PLACE DECIMAL ± .031		COMMENTS:	
INTERPRET GEOMETRIC TOLERANCING PER:		THIRD ANGLE PROJECTION	
MATERIAL		ALUMINUM	
FINISH			
DO NOT SCALE DRAWING			

PROPOWER MFG. INC. WINDSOR, ONTARIO, CANADA Ph; 519-737-1197 Fax; 519-737-1918 TOLL FREE 1-877-741-2365 Web; metaltanks.com		
TITLE: 15/20RWA15 18 usg HYDRAULIC RESERVOIR		
SIZE	DWG. NO.	REV
<b>B</b>	<b>11091-1</b>	<b>1</b>
SCALE: 1:8	WEIGHT:	SHEET 1 OF 2