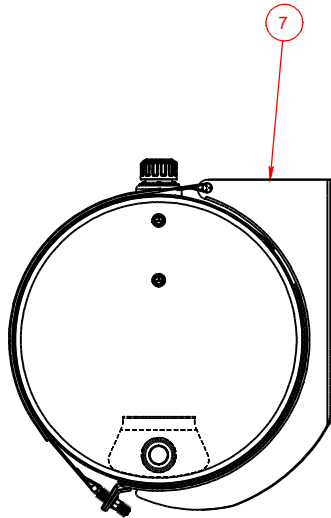
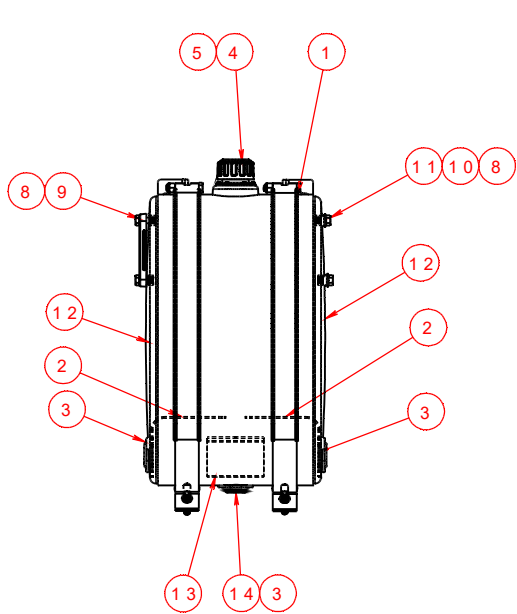
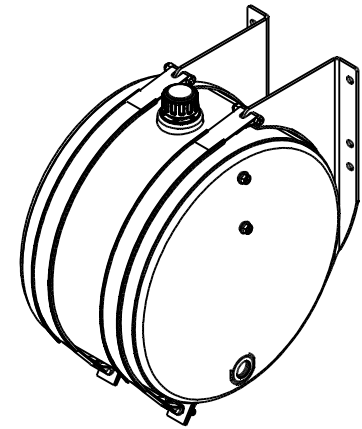


NOTES FOR STANDARD CONSTRUCTION:
 ...PRESSURE TESTED @ 5psi.
 ...INTERIOR FREE OF FOREIGN MATTER.
 ...FILLER CAP, MAGNETIC DRAIN PLUG PROVIDED.
 ...FULL BAFFLE(S) WHERE SHOWN.
 ...ALUMINUM CONSTRUCTION:
 5052-H32 ALUMINUM, BRIGHT FINISH
 HEADS ARE .100" & SHELL IS .125".
 ...ALL OPENINGS PLUGGED PRIOR TO SHIPPING



ITEM NO.	PART NUMBER	DESCRIPTION	QTY.
1	116-1866	1/8" Auminum Wrap	1
2	266-0007	Anti Vortex & Rein Plate	2
3	260-0009	1 1/4" FNPT weld flange	3
4	472-0001	Filler Breather Assembly	1
5	265-0099	Aluminum Hydraulic Riser	1
6	724-0018	24" J Bracket & Strap Assembly	1
7	724-0019	24" J Bracket & Strap Assembly	1
8	515-1008	1/2"-13 Aluminum Hex Weld-Nut	4
9	476-0010	5" Temperature/Sight Gauge	1
10	531-0057	Rubber O Ring	2
11	505-0019	1/2-13X1" Flanged Hex Head Bolt	2
12	160-0306	24" Aluminum Head	2
13	266-0001	Aluminum Diffuser	1
14	328-0016	1.25" NPT Steel Plug, Zinc Plated, Internal Hex	1

NOTES

- USE 2 BRACKETS
- EACH BRACKET IS COMPLETE WITH 1/8 X 2" NEOPRENE PAD TO BE PLACED BETWEEN THE TANK & BRACKET.
- STRAPS ARE 2" STAINLESS STEEL WITH NEOPRENE CHANNEL. SELF LOCKING, PLATED NUTS AND FLAT WASHERS PROVIDED.

UNLESS OTHERWISE SPECIFIED: DIMENSIONS ARE IN INCHES TOLERANCES: FRACTIONAL: ± 1/16 ANGULAR: MACH ± 1° BEND ± 1° TWO PLACE DECIMAL: ± .04 THREE PLACE DECIMAL: ± .031	DRAWN	NAME	DATE	PROPOWER MFG. INC. OLDCASTLE, ONTARIO, CANADA Ph: 519-737-1197 Fax: 519-737-1918 TOLL FREE 1877-7412365 Web: metaltanks.com
	CHECKED	Admin	07-26/10	
	ENG APPR.			
	MFG APPR.			
INTERPRET GEOMETRIC TOLERANCING PER:	COMMENTS:			TITLE:
MATERIAL	ALUMINUM			24CWA15KS 27usg HYDRAULIC RESERVOIR
FINISH	THIRD ANGLE PROJECTION			SCALE: 1:8
DO NOT SCALE DRAWING				SIZE DWG. NO. C 11531
				REV SHEET 1 OF 2