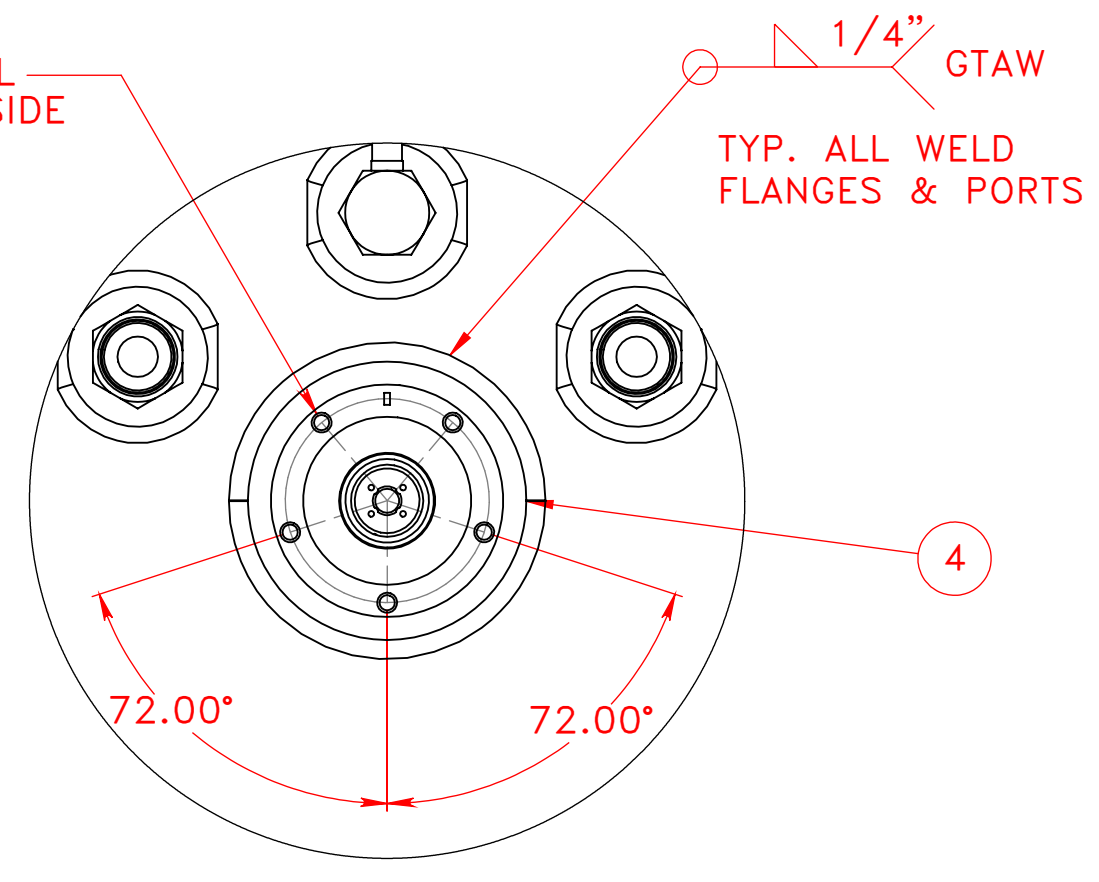
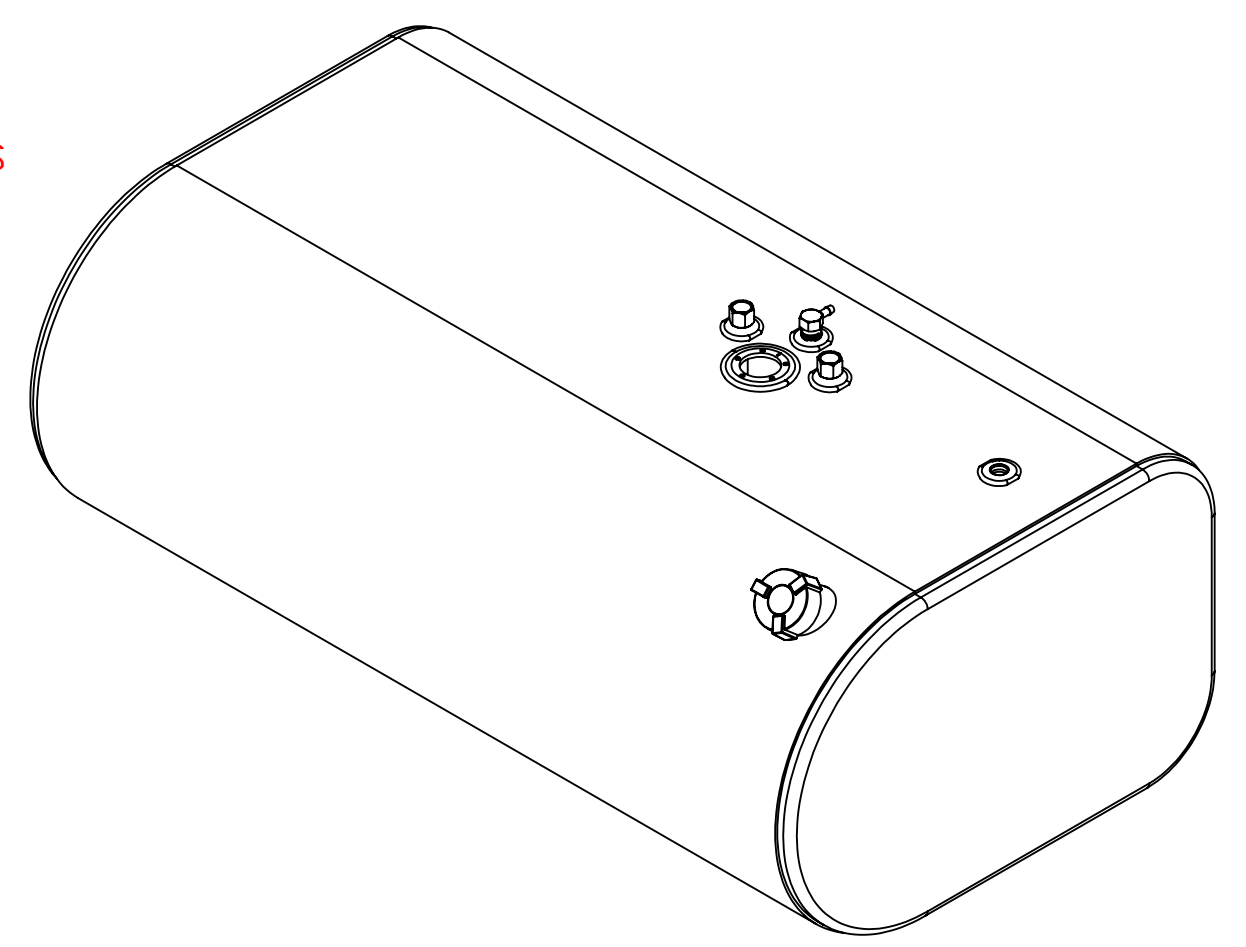


5X ϕ .16 THRU ALL
 10-32 UNF THRU ALL
 \checkmark ϕ .21 X 90°, NEAR SIDE

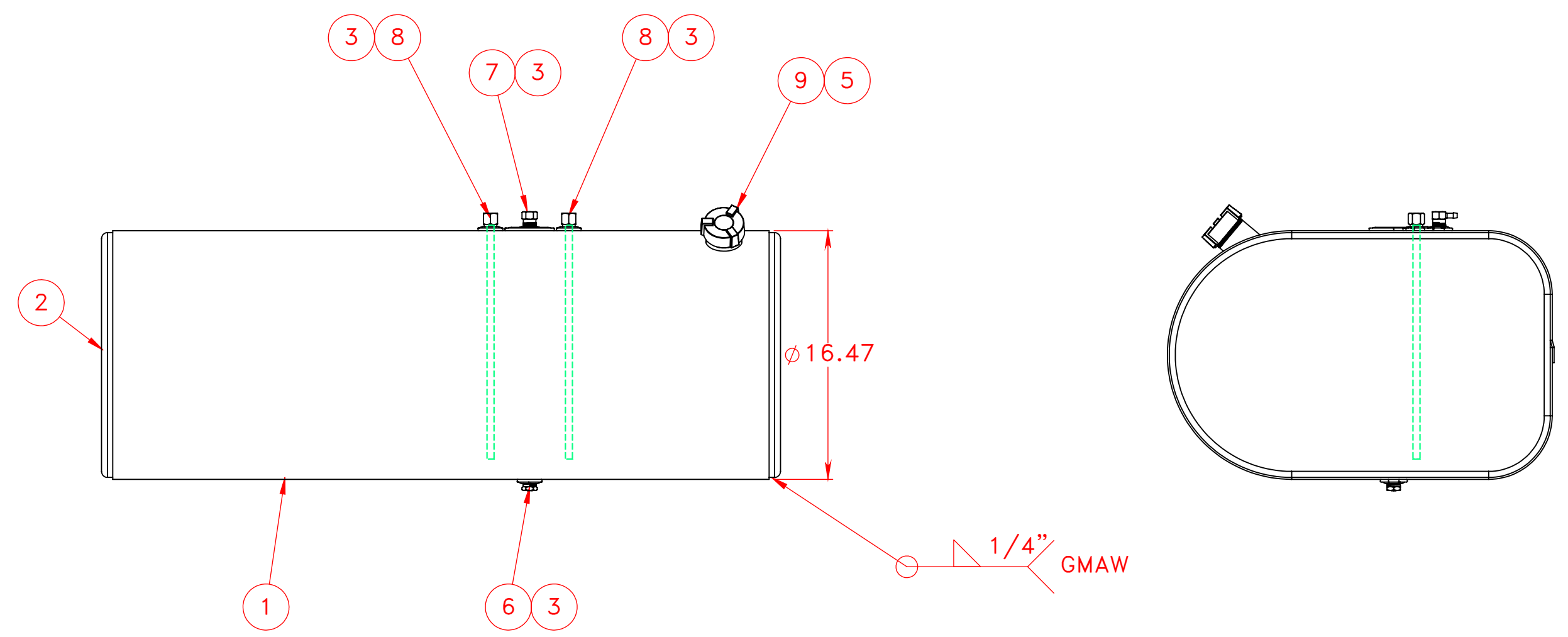


DETAIL A
 SCALE 1 : 2



NOTES FOR STANDARD CONSTRUCTION:
 ...MEETS FMCSA REQUIREMENTS.
 ...PRESSURE TESTED @ 5psi
 ...INTERIOR FREE OF FOREIGN MATTER.
 ...FILLER CAP, DRAIN PLUG & VENT PROVIDED.
 ...REPLACEABLE DRAW TUBE
 ...ALUMINUM CONSTRUCTION:
 5052-H32 ALUMINUM, BRIGHT FINISH
 HEADS ARE 0.100" & SHELL IS 0.125"
 ...ALL OPENINGS PLUGGED PRIOR TO SHIPPING

ITEM NO.	PART NUMBER	DESCRIPTION	QTY.
1	116-0713	1/8" Aluminium Wrap	1
2	160-0041	16x25 D Head	2
3	260-0005	1/2" FNPT Aluminum weld flange	5
4	265-0010	Aluminum Float Riser	1
5	316-0004	2" Aluminum Filler Neck	1
6	458-0100	1/2" NPT Ball Check Drain Plug	1
7	454-0937	1/2" NPT Ball Check Vent	1
8	490-0016-Z	1/2" NPT Down Tube	2
9	452-0998	2" Thermal Relief Fuel Cap	1



UNLESS OTHERWISE SPECIFIED: DIMENSIONS ARE IN INCHES TOLERANCES: FRACTIONAL \pm 1/16 ANGULAR: MACH \pm 1° BEND \pm 1° TWO PLACE DECIMAL \pm .06 THREE PLACE DECIMAL \pm .031	DRAWN A.B 09/21/15	NAME A.B	DATE 09/21/15	PROPOWER MFG. INC. WINDSOR, ONTARIO, CANADA Ph: 519-737-1197 Fax: 519-737-1918 TOLL FREE 1-877-741-2365 Web: metaltanks.com TITLE: FD-R16-25DFA45 72 US GROSS GALLONS 68 USEBLE GALLONS DIESEL FUEL TANK	
	CHECKED	ENG APPR.	MFG APPR.		
	INTERPRET GEOMETRIC TOLERANCING PER: MATERIAL ALUMINUM	COMMENTS:	Q.A.		THIRD ANGLE PROJECTION
	FINISH DO NOT SCALE DRAWING	SCALE: 1:8	DWG. NO. C 19364		WEIGHT: 50 lbs SHEET 1 OF 2

PROPRIETARY AND CONFIDENTIAL
 THE INFORMATION CONTAINED IN THIS DRAWING IS THE SOLE PROPERTY OF PROPOWER MFG. INC. ANY REPRODUCTION IN PART OR AS A WHOLE WITHOUT THE WRITTEN PERMISSION OF PROPOWER MFG. INC. IS PROHIBITED.