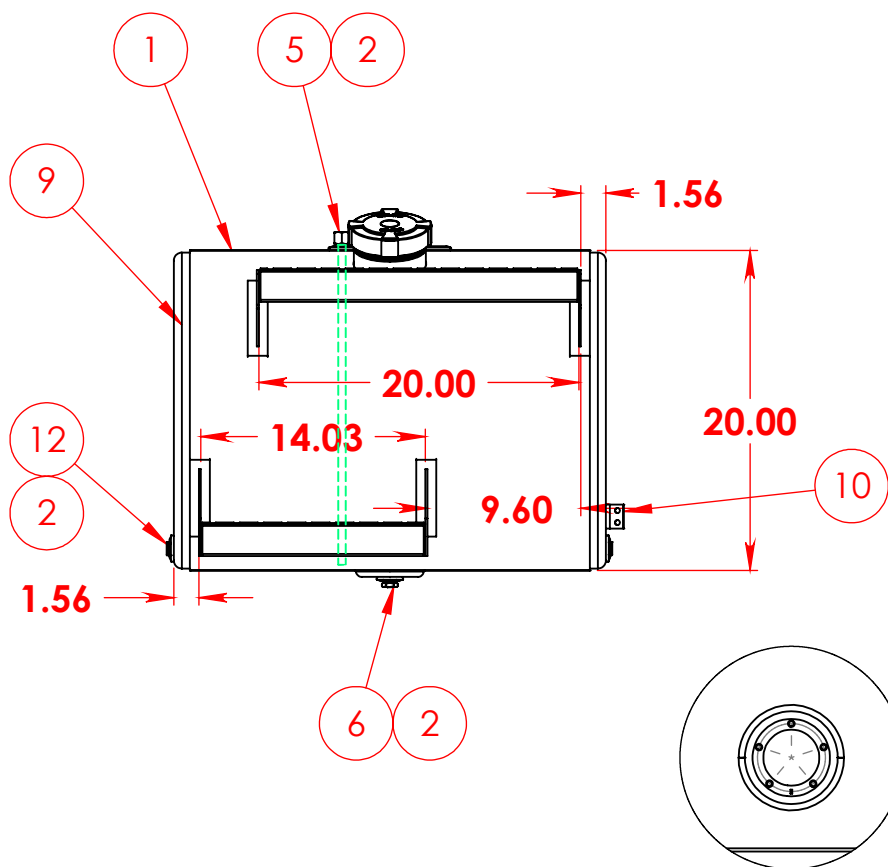
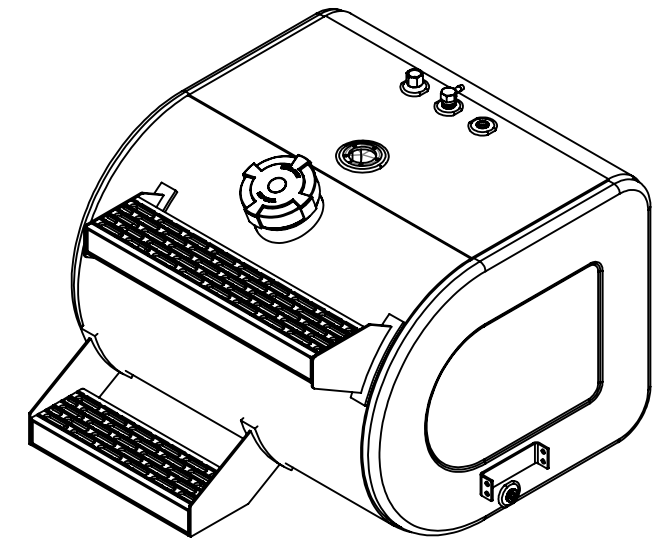
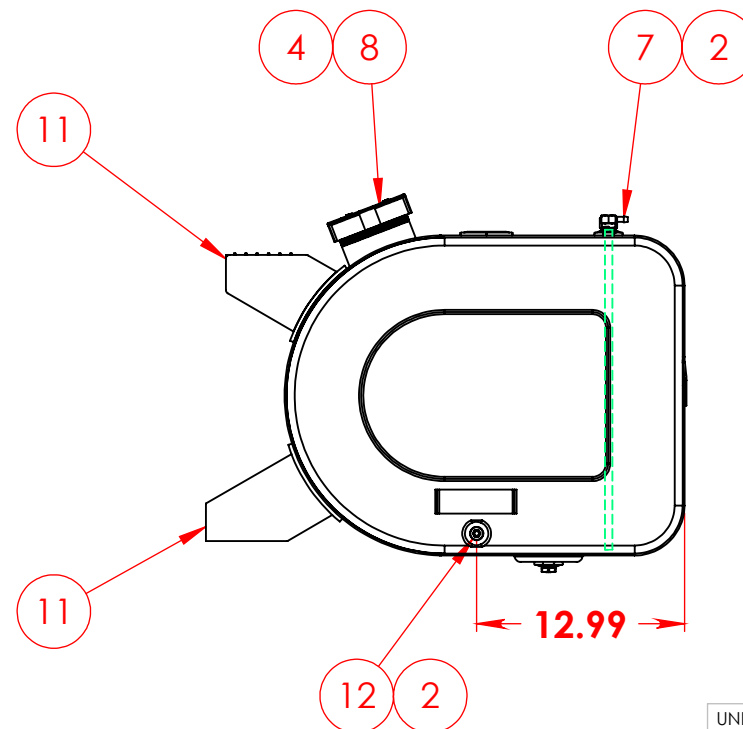


NOTES FOR STANDARD CONSTRUCTION:  
 ...MEETS FMCSA REQUIREMENTS.  
 ...PRESSURE TESTED @ 5psi  
 ...INTERIOR FREE OF FOREIGN MATTER.  
 ...FILLER CAP, DRAIN PLUG & VENT PROVIDED.  
 ...REPLACEABLE DRAW TUBE  
 ...FULL BAFFLE(S) WHERE SHOWN  
 ...ALUMINUM CONSTRUCTION:  
 5052-H32 ALUMINUM, BRIGHT FINISH  
 HEADS ARE 0.100" & SHELL IS 0.125"  
 ...ALL OPENINGS PLUGGED PRIOR TO SHIPPING



DETAIL A  
 SCALE 1 : 6



ITEM NO.	PART NUMBER	DESCRIPTION	QTY.
1	116-0005	1/8" Aluminum Sheet	1
2	260-0005	1/2" FNPT Aluminum weld flange	6
3	265-0010	Aluminum Float Riser	1
4	326-0020	4" Filler Neck	1
5	490-0020-Z	1/2" NPT Down Tube	1
6	458-0100	1/2" NPT Ball Check Drain Plug	1
7	454-0937	1/2" NPT Ball Check Vent	1
8	452-1015	4" Pressure Relief Fuel Cap	1
9	170-0040	20x25 D Head	2
10	276-0047	CrossoverSupportBkt	1
11	219-0001	Step	2
12	368-0020	1/2" NPT Hex Brass Plug	2

UNLESS OTHERWISE SPECIFIED:		NAME	DATE	<b>PROPOWER MFG. INC.</b> WINDSOR, ONTARIO, CANADA Ph: 519-737-1197 Fax: 519-737-1918 TOLL FREE 1-877-741-2365 Web; metaltanks.com	
DIMENSIONS ARE IN INCHES		DRAWN	A.B		TITLE: <b>FD-R20-25DFA2S27</b> <b>53 US GROSS GALLONS</b> <b>50 USEBLE GALLONS</b> <b>DIESEL FUEL TANK</b>
TOLERANCES:		CHECKED			
FRACTIONAL ± 1/16		ENG APPR.			
ANGULAR: MACH ± 1° BEND ± 1°		MFG APPR.		SIZE <b>B</b> DWG. NO. <b>13034</b> REV	
TWO PLACE DECIMAL ± .06		Q.A.		SCALE: 1:12 WEIGHT:	
THREE PLACE DECIMAL ± .031		COMMENTS:		SHEET 1 OF 2	
INTERPRET GEOMETRIC TOLERANCING PER:		MATERIAL <b>ALUMINUM</b>			
MATERIAL		FINISH			
DO NOT SCALE DRAWING		THIRD ANGLE PROJECTION			

PROPRIETARY AND CONFIDENTIAL  
 THE INFORMATION CONTAINED IN THIS DRAWING IS THE SOLE PROPERTY OF PROPOWER MFG. INC. ANY REPRODUCTION IN PART OR AS A WHOLE WITHOUT THE WRITTEN PERMISSION OF PROPOWER MFG. INC. IS PROHIBITED.