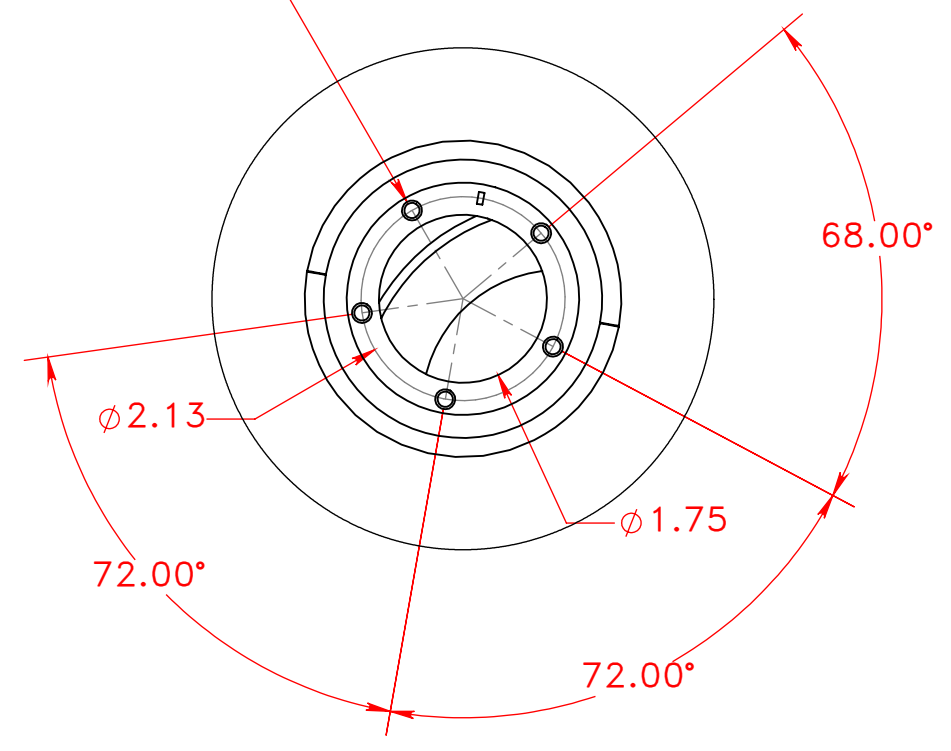
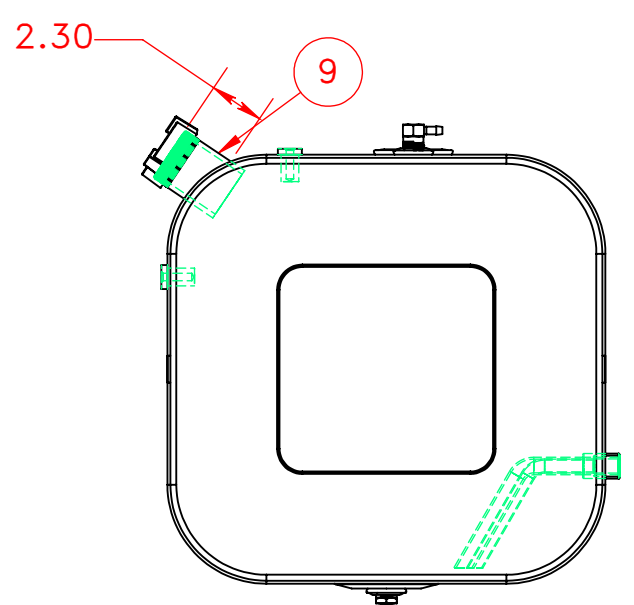
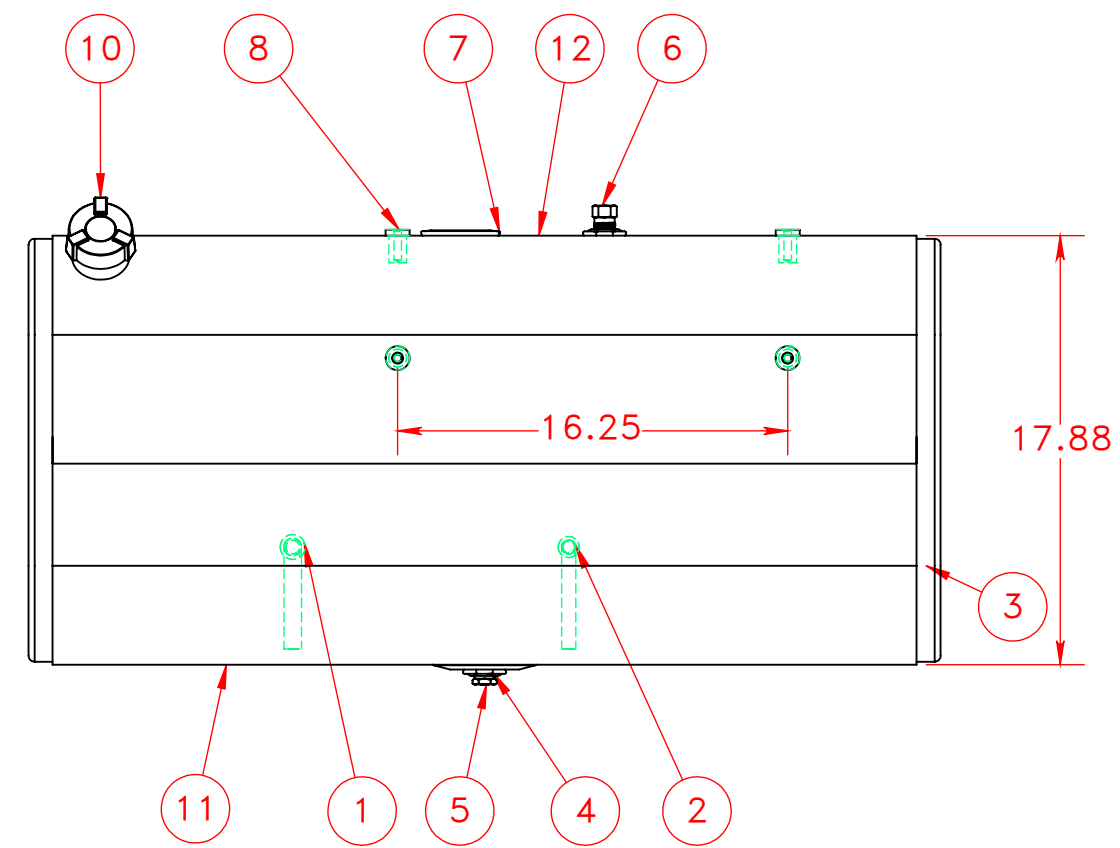
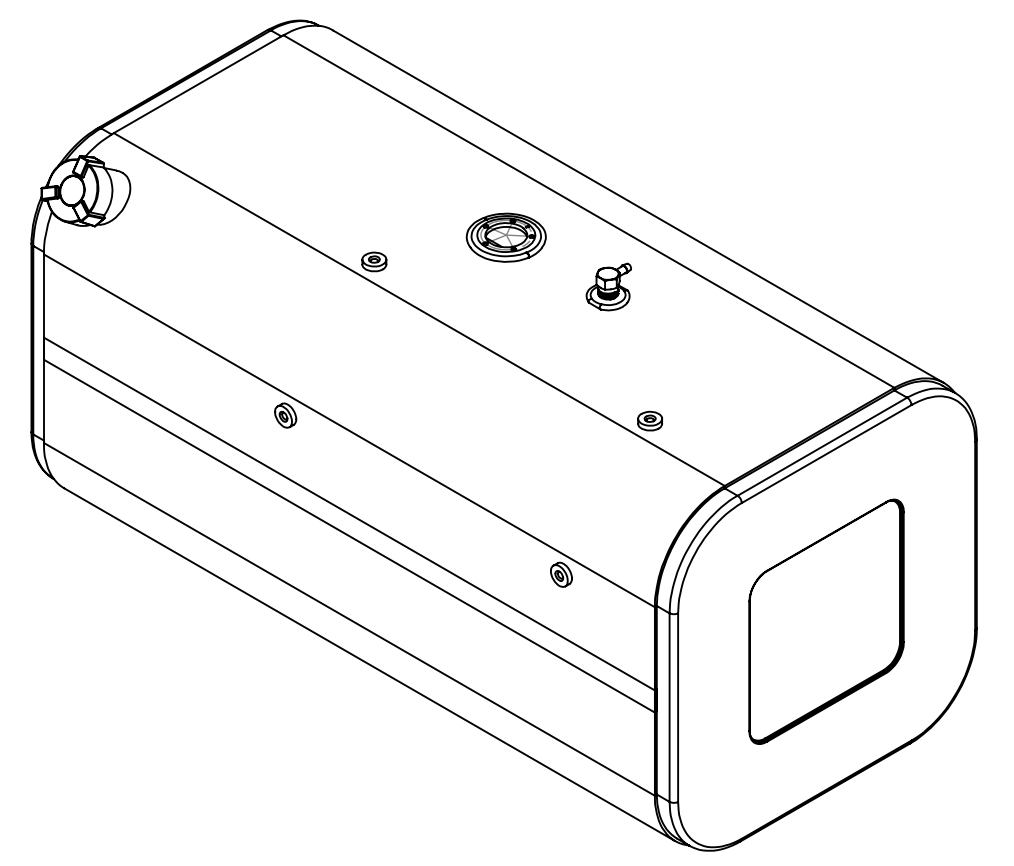


5X  $\phi$  .16 THRU ALL  
 10-32 UNF THRU ALL  
 $\checkmark$   $\phi$  .21 X 90°, NEAR SIDE



**DETAIL C**  
**SCALE 1 : 2**



ITEM NO.	PART NUMBER	DESCRIPTION	QTY.
1	490-0204	1/2" Aluminum Coupling Down Tube	1
2	490-0203	3/8" Aluminum Coupling Down Tube	1
3	160-0014	17.63x18 Aluminum Head	2
4	260-0005	1/2" FNPT Aluminum weld flange	2
5	458-0100	1/2" NPT Ball Check Drain Plug	1
6	454-0937	1/2" NPT Ball Check Vent	1
7	265-0010	Aluminum Float Riser	1
8	217-0001	Step Boss	4
9	316-0004	2" Aluminum Filler Neck	1
10	452-0998	2" Thermal Relief Fuel Cap	1
11	116-1067	1/8" Auminum Bottom Wrap	1
12	116-1068	1/8" Auminum Top Wrap	1

**NOTES FOR STANDARD CONSTRUCTION:**  
 ...MEETS FMCSA REQUIREMENTS.  
 ...PRESSURE TESTED @ 5psi  
 ...INTERIOR FREE OF FOREIGN MATTER.  
 ...FILLER CAP, DRAIN PLUG & VENT PROVIDED.  
 ...DRAW/RETURN TUBES  
 ...BAFFLE(S) WHERE SHOWN  
 ...ALUMINUM CONSTRUCTION:  
 5052-H32 ALUMINUM, BRIGHT FINISH  
 HEADS ARE 0.100" & SHELL IS 0.125"  
 ...ALL OPENINGS PLUGGED PRIOR TO SHIPPING

**PROPRIETARY AND CONFIDENTIAL**  
 THE INFORMATION CONTAINED IN THIS DRAWING IS THE SOLE PROPERTY OF PROPOWER MFG. INC. ANY REPRODUCTION IN PART OR AS A WHOLE WITHOUT THE WRITTEN PERMISSION OF PROPOWER MFG. INC. IS PROHIBITED.

UNLESS OTHERWISE SPECIFIED:	DRAWN	NAME	DATE
DIMENSIONS ARE IN INCHES	A.B		03/18/08
TOLERANCES:	CHECKED		
FRACTIONAL $\pm$ 1/16	ENG APPR.		
ANGULAR: MACH $\pm$ 1° BEND $\pm$ 1°	MFG APPR.		
TWO PLACE DECIMAL $\pm$ .06	Q.A.		
THREE PLACE DECIMAL $\pm$ .031	COMMENTS:		
INTERPRET GEOMETRIC TOLERANCING PER:			
MATERIAL	ALUMINUM		
FINISH			
DO NOT SCALE DRAWING	THIRD ANGLE PROJECTION		

**PROPOWER MFG. INC.**  
 WINDSOR, ONTARIO, CANADA  
 Ph: 519-737-1197 Fax: 519-737-1918  
 TOLL FREE 1-877-741-2365 Web: metaltanks.com

**TITLE:**  
 FL-R18-18RFAS38  
 50 US GROSS GALLONS  
 47 USEBLE GALLONS  
 DIESEL FUEL TANK

**SIZE DWG. NO.**  
**C 5962**

**SCALE: 1:8 WEIGHT: 40 lbs SHEET 1 OF 2**