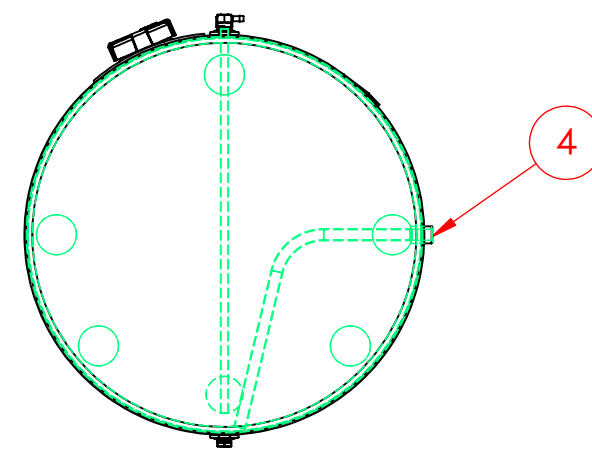
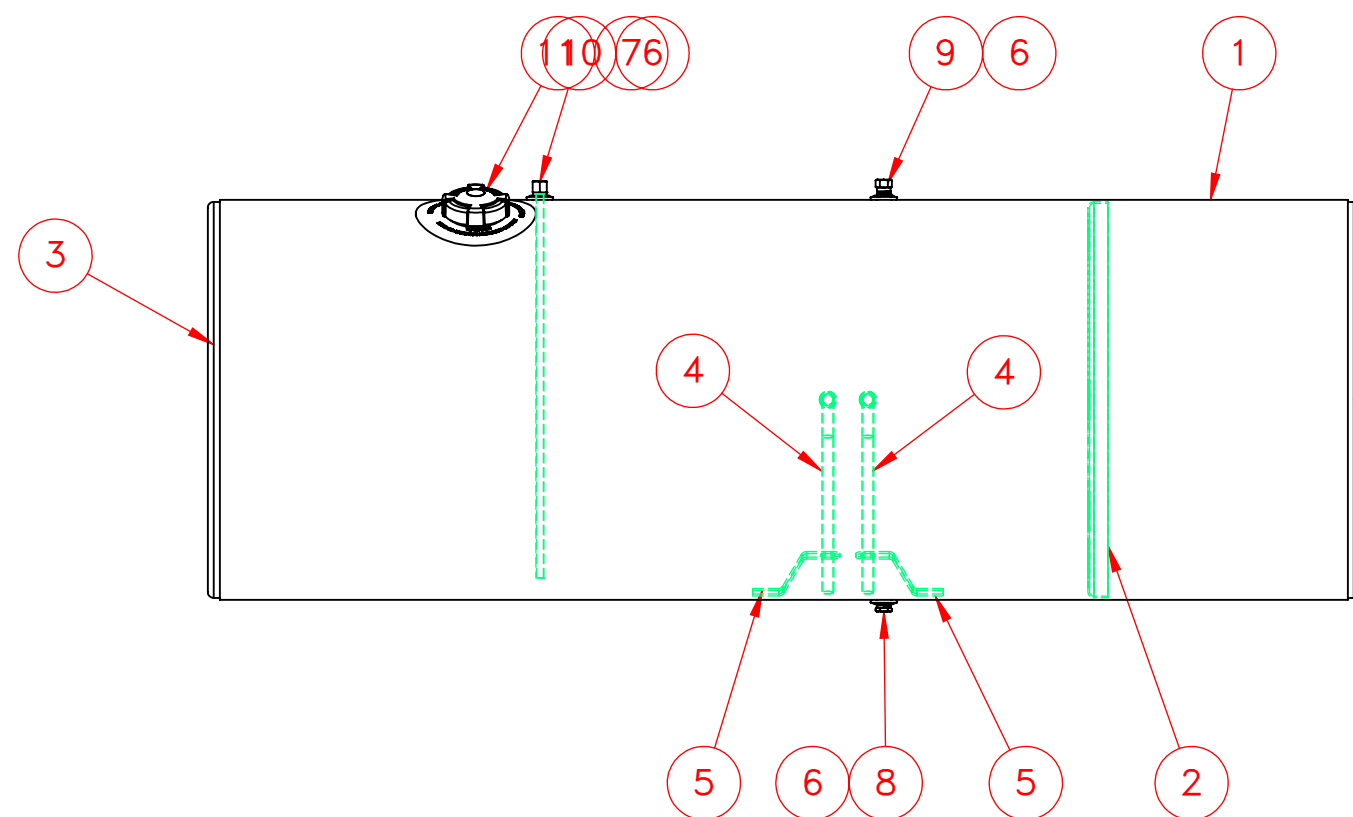


NOTES FOR STANDARD CONSTRUCTION:
 ...MEETS FMCSA REQUIREMENTS.
 ...PRESSURE TESTED @ 5psi.
 ...INTERIOR FREE OF FOREIGN MATTER.
 ...FILLER CAP, DRAIN, VENT &
 DRAW/RETURN TUBES PROVIDED.
 ...FULL BAFFLE(S) WHERE SHOWN.
 ...ALUMINUM CONSTRUCTION:
 5052-H32 ALUMINUM, BRIGHT FINISH
 HEADS ARE .100" & SHELL IS .125".
 ...ALL OPENINGS PLUGGED PRIOR TO SHIPPING



ITEM NO.	PART NUMBER	MakeOrBuy	DESCRIPTION	QTY.
1	116-1349		1/8" Auminum Wrap	1
2	162-0055		Baffle	1
3	160-0055		25" Aluminum Head	2
4	490-0109		1/2" FNPT Coupling With Down Tube	2
5	490-3001		Down Tube Support	2
6	260-0005	\$	1/2" FNPT Aluminum weld flange	3
7	316-0094	\$	Filler 3" Pocket Flange	1
8	458-0100	\$	1/2" NPT Ball Check Drain Plug	1
9	454-0937	\$	1/2" NPT Ball Check Vent	1
10	492-0024-Z		1/4" FNPT X 1/2" NPT 1/2" Down Tube	1
11	452-1628	\$	Fuel Cap 3" Pressure Relief	1

PROPOWER MFG. INC.
 WINDSOR, ONTARIO, CANADA
 Ph: 519-737-1197 Fax: 519-737-1918
 TOLL FREE 1-877-741-2365 Web: metaltanks.com

UNLESS OTHERWISE SPECIFIED: DRAWN NAME DATE
 A.B 07/13/20

CHECKED
 ENG APPR.
 MFG APPR.
 Q.A.

COMMENTS:

INTERPRET GEOMETRIC TOLERANCING PER:
 MATERIAL ALUMINUM
 FINISH
 DO NOT SCALE DRAWING

THIRD ANGLE PROJECTION

TITLE:
 FL-R25CFA72-A
 150 US gal DIESEL FUEL TANK

SIZE DWG. NO. REV
C 26316-2

SCALE: 1:12 WEIGHT: 87 LBS SHEET 1 OF 1

PROPRIETARY AND CONFIDENTIAL
 THE INFORMATION CONTAINED IN THIS DRAWING IS THE SOLE PROPERTY OF PROPOWER MFG. INC. ANY REPRODUCTION IN PART OR AS A WHOLE WITHOUT THE WRITTEN PERMISSION OF PROPOWER MFG. INC. IS PROHIBITED.