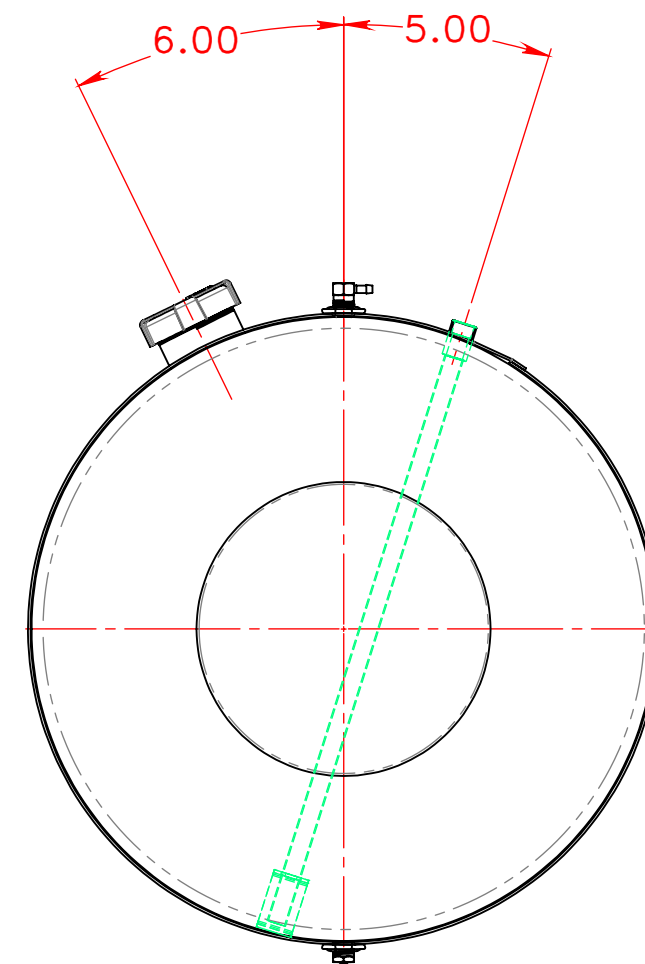
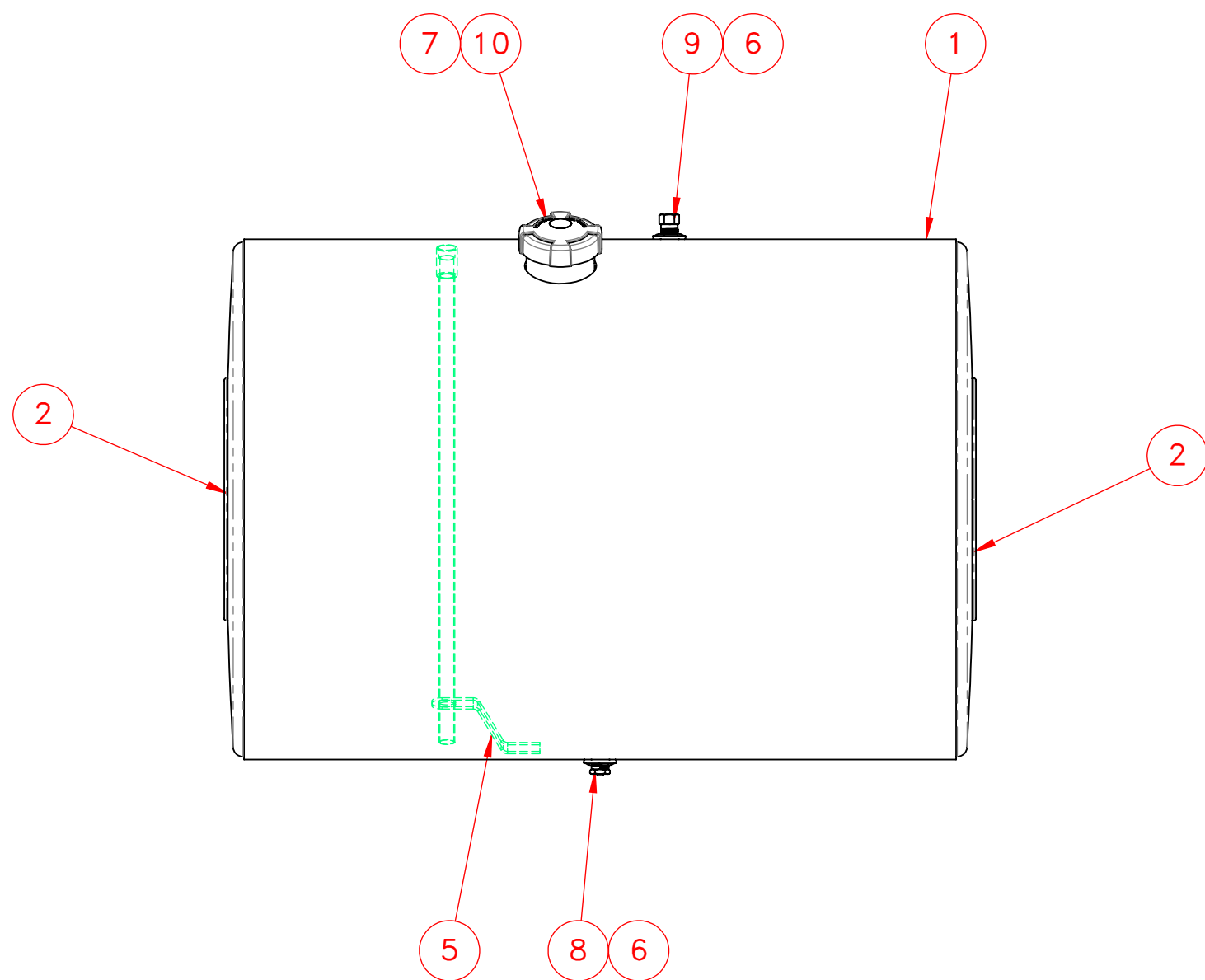
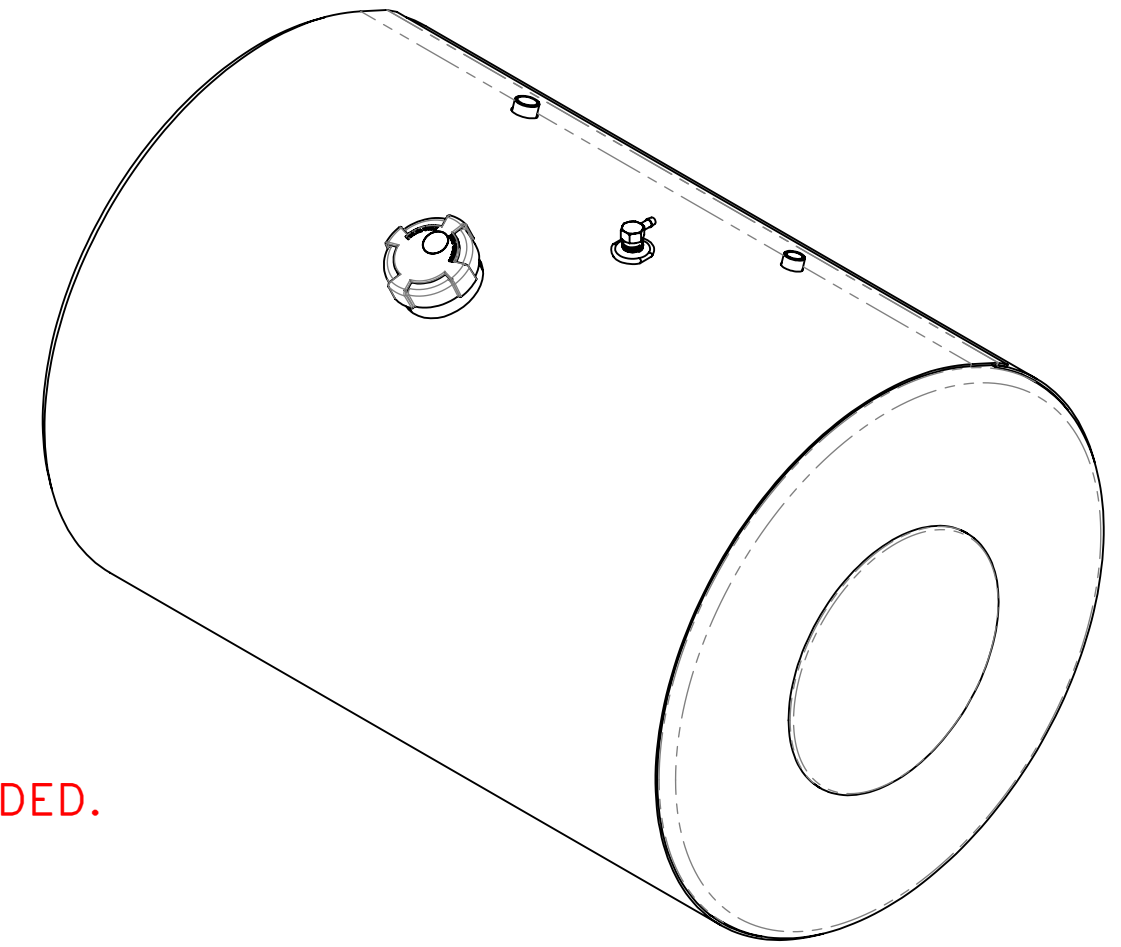


NOTES FOR STANDARD CONSTRUCTION:
 ...MEETS FMCSA REQUIREMENTS.
 ...PRESSURE TESTED @ 5psi
 ...INTERIOR FREE OF FOREIGN MATTER.
 ...FILLER CAP, DRAW TUBE, DRAIN PLUG & VENT PROVIDED.
 ...FULL BAFFLE(S) WHERE SHOWN
 ...ALUMINUM CONSTRUCTION:
 5052-H32 ALUMINUM, BRIGHT FINISH
 HEADS ARE 0.100" & SHELL IS 0.125"
 ...ALL OPENINGS PLUGGED PRIOR TO SHIPPING



ITEM NO.	PART NUMBER	DESCRIPTION	QTY.
1	116-0485	1/8" Aluminum Wrap	1
2	160-0056	26" Aluminum Head	2
3	490-0101	1/2" FNPT Down Tube	1
4	312-0004	3/8" NPT Aluminum Coupling	1
5	490-3001	Down Tube Support	1
6	260-0005	1/2" FNPT Aluminum weld flange	2
7	316-0014	3" Aluminum Filler Neck	1
8	458-0100	1/2" NPT Ball Check Drain Plug	1
9	454-0937	1/2" NPT Ball Check Vent	1
10	452-1628	Fuel Cap 3" Pressure Relief	1

PROPRIETARY AND CONFIDENTIAL
 THE INFORMATION CONTAINED IN THIS DRAWING IS THE SOLE PROPERTY OF PROPOWER MFG. INC. ANY REPRODUCTION IN PART OR AS A WHOLE WITHOUT THE WRITTEN PERMISSION OF PROPOWER MFG. INC. IS PROHIBITED.

UNLESS OTHERWISE SPECIFIED:	DRAWN	NAME	DATE
DIMENSIONS ARE IN INCHES	A.B		05/14/14
TOLERANCES:	CHECKED		
FRACTIONAL ± 1/16	ENG APPR.		
ANGULAR: MACH ± 1° BEND ± 1°	MFG APPR.		
TWO PLACE DECIMAL ± .06	Q.A.		
THREE PLACE DECIMAL ± .031	COMMENTS:		
INTERPRET GEOMETRIC TOLERANCING PER:			
MATERIAL	ALUMINUM		
FINISH			
DO NOT SCALE DRAWING	THIRD ANGLE PROJECTION		

PROPOWER MFG. INC.
 WINDSOR, ONTARIO, CANADA
 Ph: 519-737-1197 Fax: 519-737-1918
 TOLL FREE 1-877-741-2365 Web: metaltanks.com

TITLE:
IN-L26CFA38
 87 US GROSS GALLONS
 83 DIESEL GALLONS
 DIESEL FUEL TANK

SIZE DWG. NO. REV
C 16813

SCALE: 1:8 WEIGHT: 46 LBS SHEET 1 OF 2