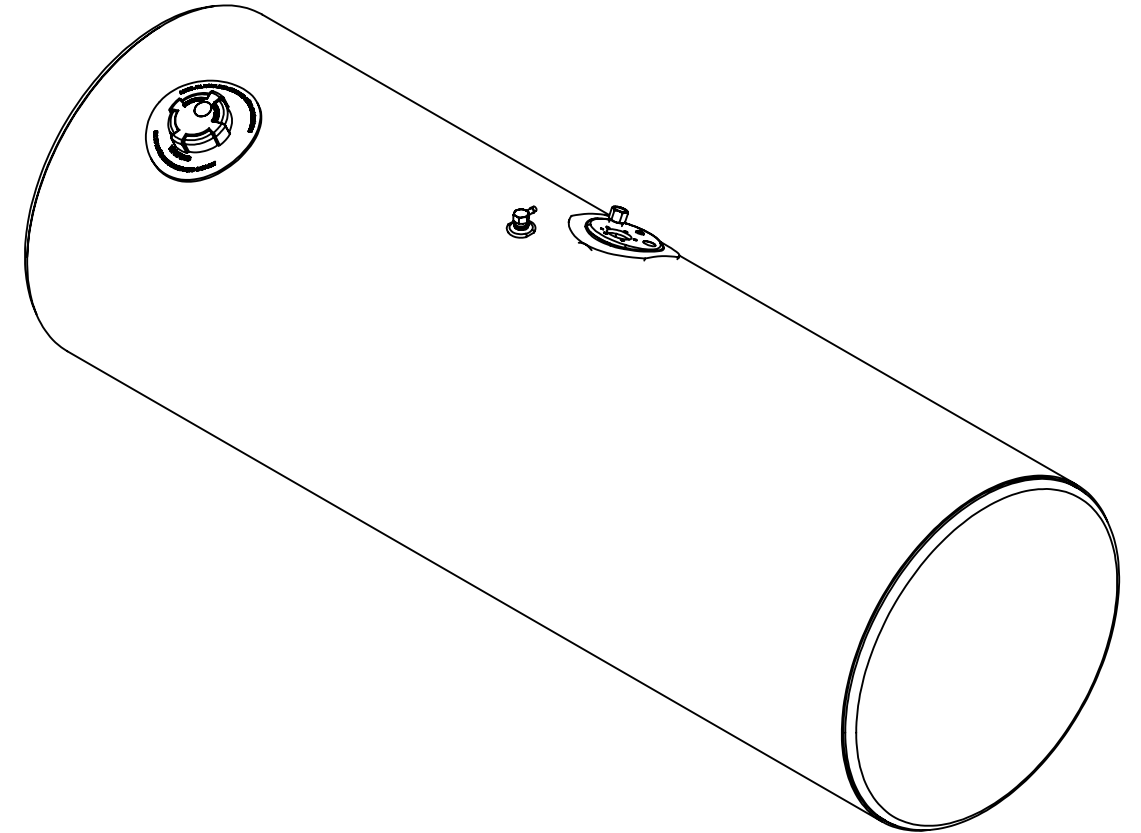
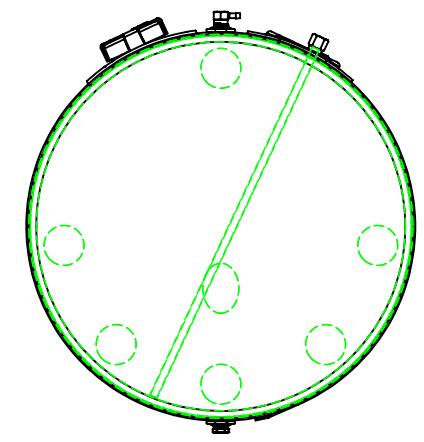
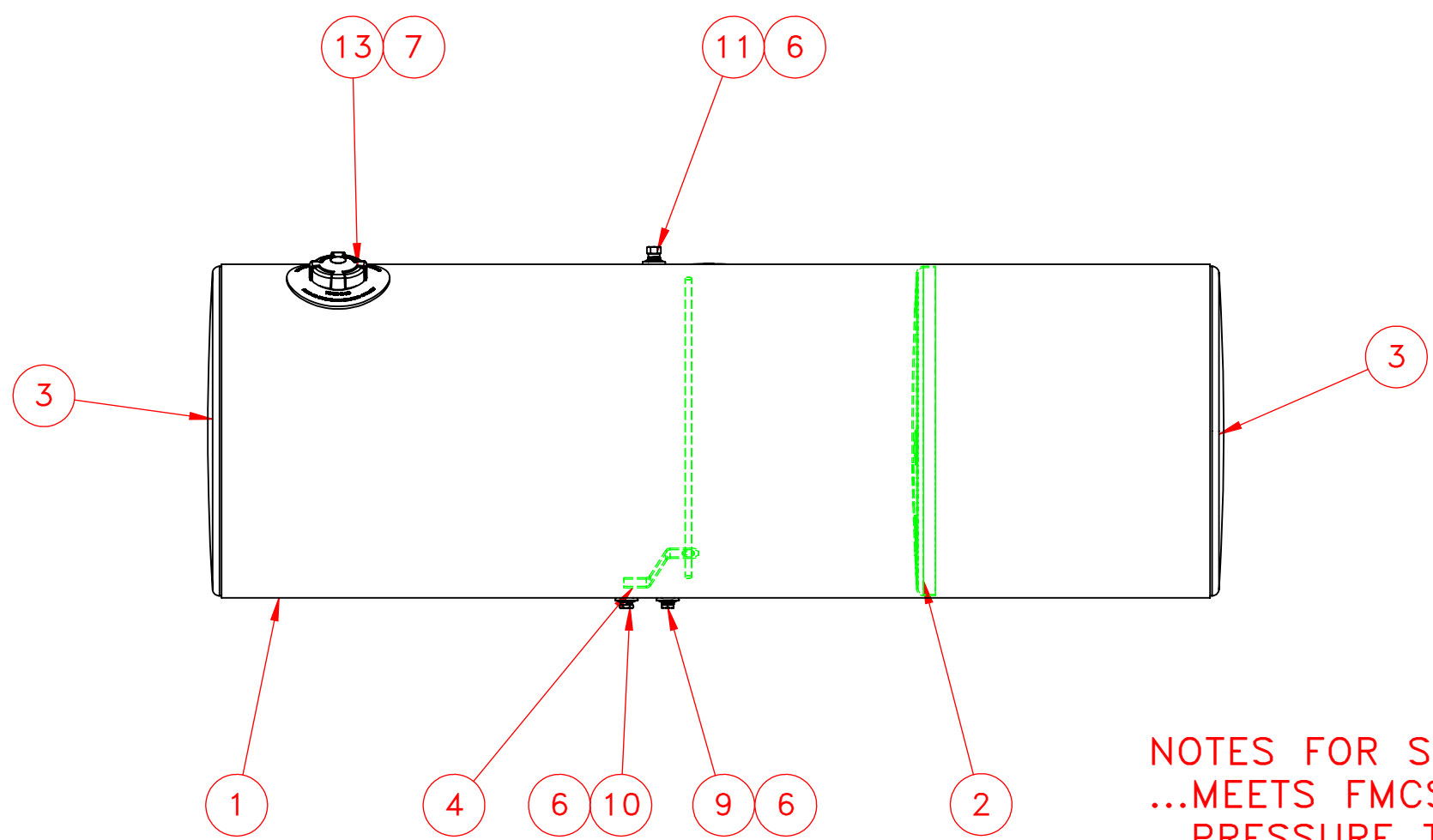


DETAIL A
SCALE 1 : 4



ITEM NO.	PART NUMBER	DESCRIPTION	QTY.
1	116-1051	1/8" Aluminum Wrap	1
2	162-0054	24" Baffle	1
3	160-0054	24" Head 0.100" Aluminum	2
4	490-3001	Down Tube Support	1
5	260-0733	Float/Draw/Return Plate	1
6	260-0005	1/2" FNPT Aluminum weld flange	3
7	316-0094	Filler 3" Pocket Flange	1
8	368-0005	1/4" NPT Brass Plug Hex	1
9	368-0010	1/2" NPT Brass Plug	1
10	458-0100	1/2" NPT Ball Check Drain Plug	1
11	454-0937	1/2" NPT Ball Check Vent	1
12	490-0024-Z	1/2" NPT Down Tube	1
13	452-3001	Fuel Cap 3" Pressure Relief	1



NOTES FOR STANDARD CONSTRUCTION:
 ...MEETS FMCSA REQUIREMENTS.
 ...PRESSURE TESTED @ 5psi
 ...INTERIOR FREE OF FOREIGN MATTER.
 ...FILLER CAP, DRAIN PLUG,
 VENT & DRAW TUBE PROVIDED.
 ...FULL BAFFLE(S) WHERE SHOWN
 ...ALUMINUM CONSTRUCTION:
 5052-H32 ALUMINUM, BRIGHT FINISH
 HEADS ARE 0.100" & SHELL IS 0.125"
 ...ALL OPENINGS PLUGGED PRIOR TO SHIPPING

PROPRIETARY AND CONFIDENTIAL
 THE INFORMATION CONTAINED IN THIS DRAWING IS THE SOLE PROPERTY OF PROPOWER MFG. INC. ANY REPRODUCTION IN PART OR AS A WHOLE WITHOUT THE WRITTEN PERMISSION OF PROPOWER MFG. INC. IS PROHIBITED.

UNLESS OTHERWISE SPECIFIED:	DRAWN	NAME	DATE
DIMENSIONS ARE IN INCHES	CHECKED	A.B	09/05/17
TOLERANCES:	ENG APPR.	Admin	07-21-21
FRACTIONAL ± 1/16	MFG APPR.		
ANGULAR: MACH ± 1° BEND ± 1'	Q.A.		
TWO PLACE DECIMAL ± .06	COMMENTS:		
THREE PLACE DECIMAL ± .031			
INTERPRET GEOMETRIC TOLERANCING PER:			
MATERIAL	ALUMINUM		
FINISH			
DO NOT SCALE DRAWING	THIRD ANGLE PROJECTION		

PROPOWER MFG. INC.
 WINDSOR, ONTARIO, CANADA
 Ph: 519-737-1197 Fax: 519-737-1918
 TOLL FREE 1-877-741-2365 Web: metaltanks.com

TITLE:
 KW-L24CFA74-N
 145 US GROSS GALLONS
 138 USABLE GALLONS
 DIESEL FUEL TANK

SIZE DWG. NO.
C 22779

SCALE: 1:12, WEIGHT: 86 LBS SHEET 1 OF 2