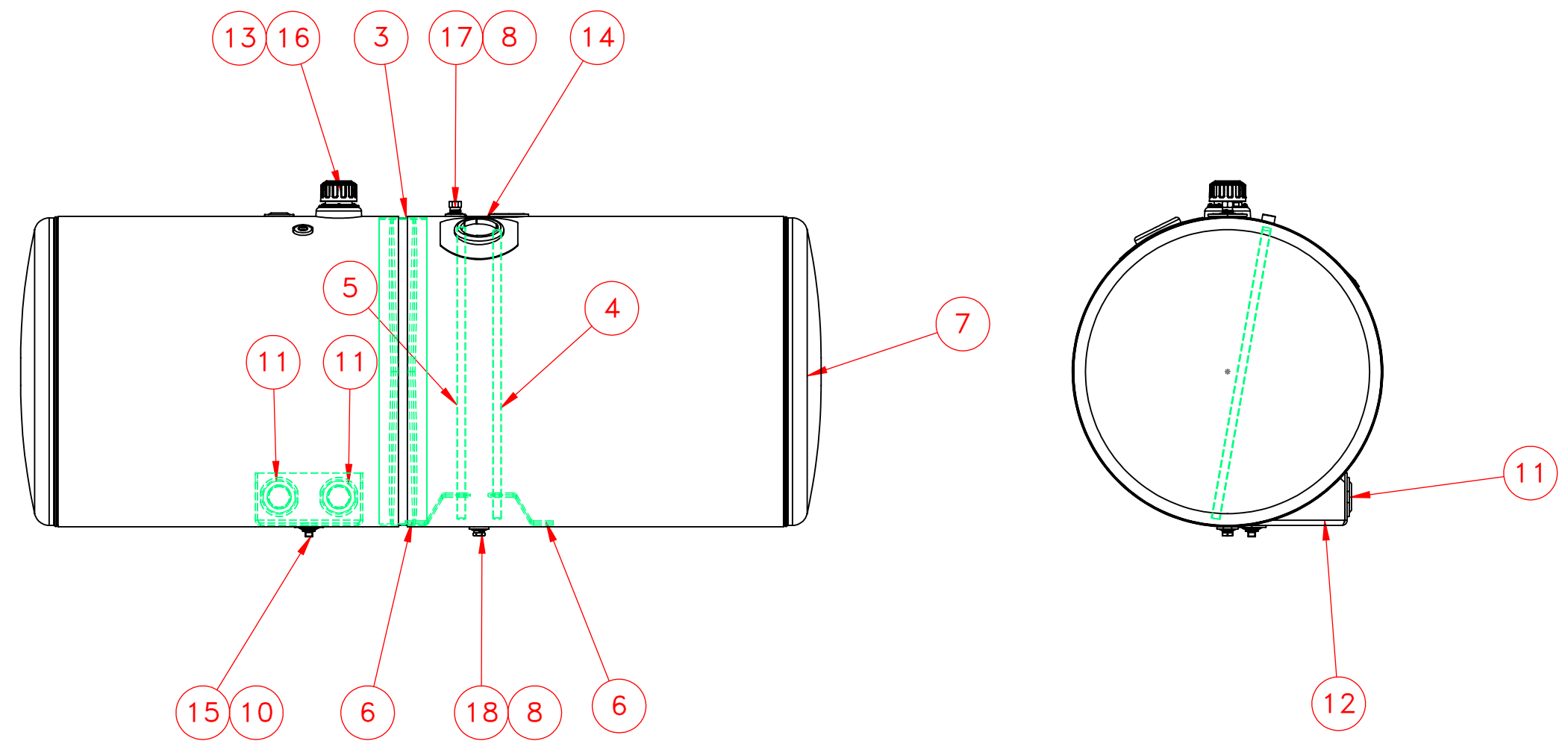
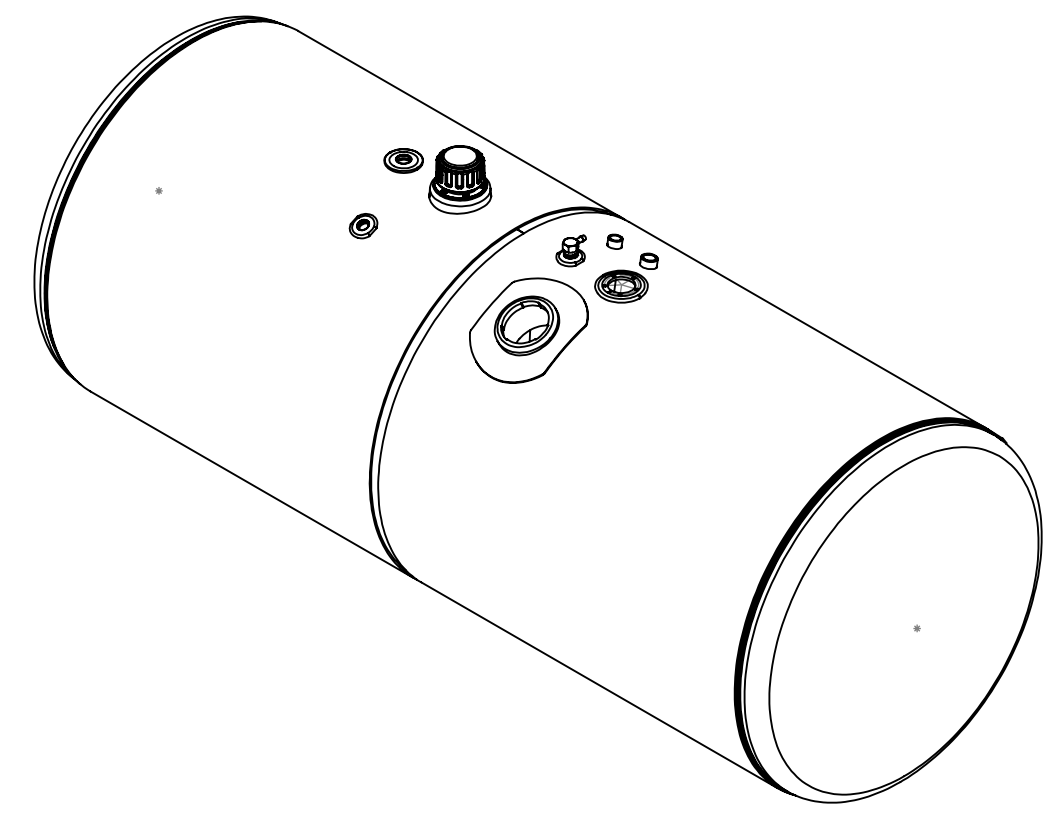


**DETAIL A**  
**SCALE 1 : 2**



**NOTES FOR STANDARD CONSTRUCTION:**  
 ...MEETS FMCSA REQUIREMENTS.  
 ...PRESSURE TESTED @ 5psi  
 ...INTERIOR FREE OF FOREIGN MATTER.  
 ...FULL BAFFLE(S) WHERE SHOWN  
 ...ALUMINUM CONSTRUCTION:  
 1/8" 5052-H32 ALUMINUM, BRIGHT FINISH  
 ...ALL OPENINGS PLUGGED PRIOR TO SHIPPING

ITEM NO.	PART NUMBER	MakeOrBuy	DESCRIPTION	QTY.
1	116-1457		1/8" Auminum Wrap	1
2	116-1458		1/8" Auminum Wrap	1
3	267-0015		Peterbilt Split Head	1
4	493-0002		1/2" NPT Down Tube	1
5	493-0003		3/8" NPT Down Tube	1
6	490-3001		Down Tube Support	2
7	160-0109	\$	26" Aluminum Head	2
8	260-0005	\$	1/2" FNPT Aluminum weld flange	3
9	265-0010	\$	Aluminum Float Riser	1
10	260-0006	\$	3/4" FNPT Aluminum weld flange	2
11	260-0011	\$	1 1/2" Aluminum FNPT weld flange	2
12	266-0064		Rear Port Box	1
13	265-0099		Aluminum Hydraulic Riser	1
14	316-0016	\$	Peterbilt Filer	1
15	478-0001	\$	3/4" NPT Magnetic Plug	1
16	472-0001	\$	Filler Breather Assembly	1
17	454-0937	\$	1/2" NPT Ball Check Vent	1
18	458-0100	\$	1/2" NPT Ball Check Drain Plug	1

<small>PROPRIETARY AND CONFIDENTIAL</small> <small>THE INFORMATION CONTAINED IN THIS DRAWING IS THE SOLE PROPERTY OF PROPOWER MFG. INC. ANY REPRODUCTION IN PART OR AS A WHOLE WITHOUT THE WRITTEN PERMISSION OF PROPOWER MFG. INC. IS PROHIBITED.</small>	UNLESS OTHERWISE SPECIFIED:	DRAWN	NAME	DATE	<b>PROPOWER MFG. INC.</b> <small>WINDSOR, ONTARIO, CANADA</small> <small>Ph: 519-737-1197 Fax: 519-737-1918</small> <small>TOLL FREE 1-877-741-2365 Web: metaltanks.com</small>	
	DIMENSIONS ARE IN INCHES	CHECKED	A.B	03/08/21		
	TOLERANCES:	ENG APPR.				TITLE:
	FRACTIONAL ± 1/16 ANGULAR: MACH ± 1° BEND ± 1° TWO PLACE DECIMAL ± .06 THREE PLACE DECIMAL ± .031	MFG APPR.				<b>PB-L26CWA32CFA35</b> <b>75 US gal HYDRAULIC RESERVOIR</b> <b>80 US gal DIESEL FUEL TANK</b>
	INTERPRET GEOMETRIC TOLERANCING PER:	COMMENTS:			SIZE DWG. NO.	
	MATERIAL				<b>C 27245</b>	
	FINISH				REV	
	DO NOT SCALE DRAWING	THIRD ANGLE PROJECTION			SCALE: 1:12, WEIGHT: 105 LBS SHEET 1 OF 1	