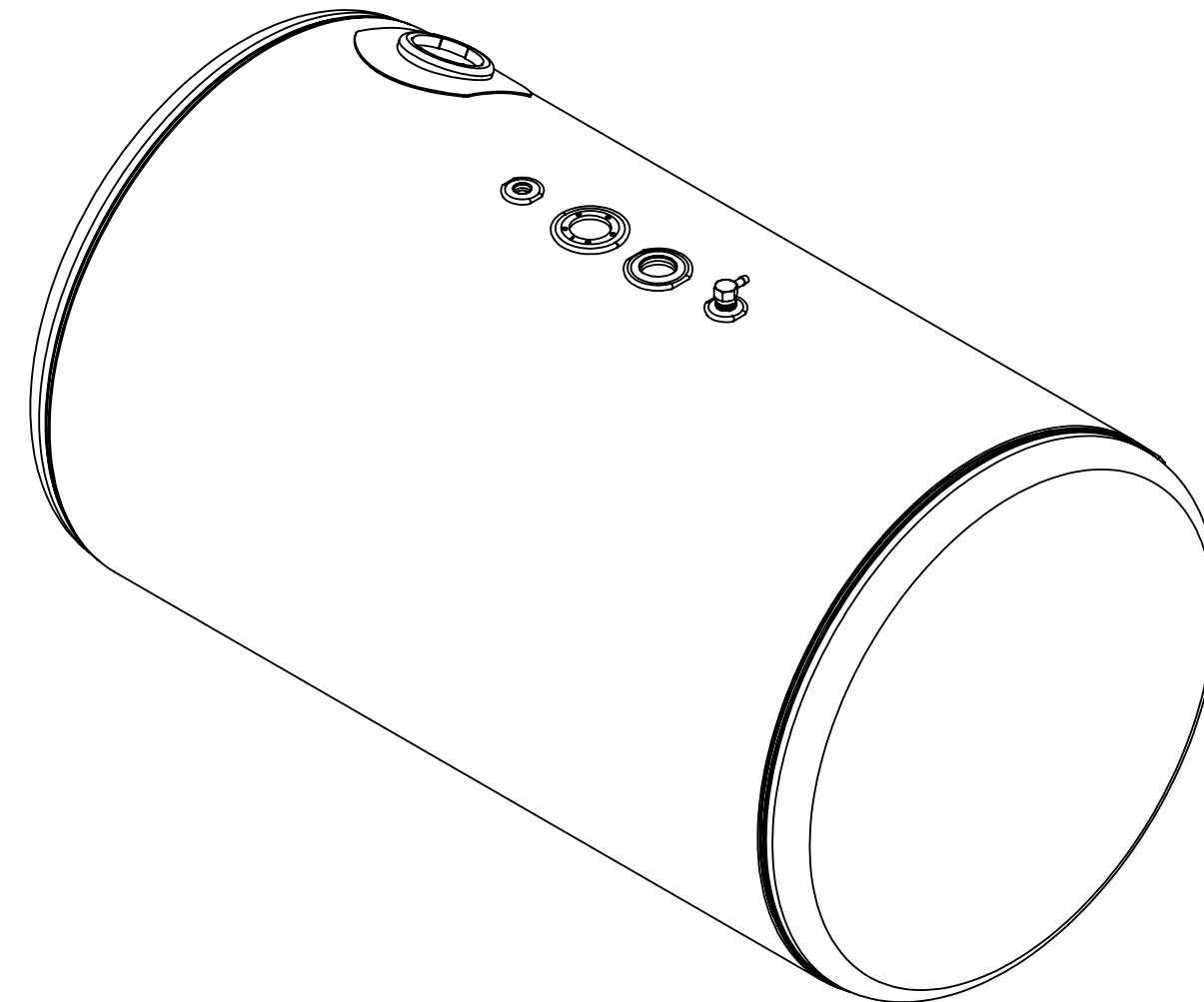
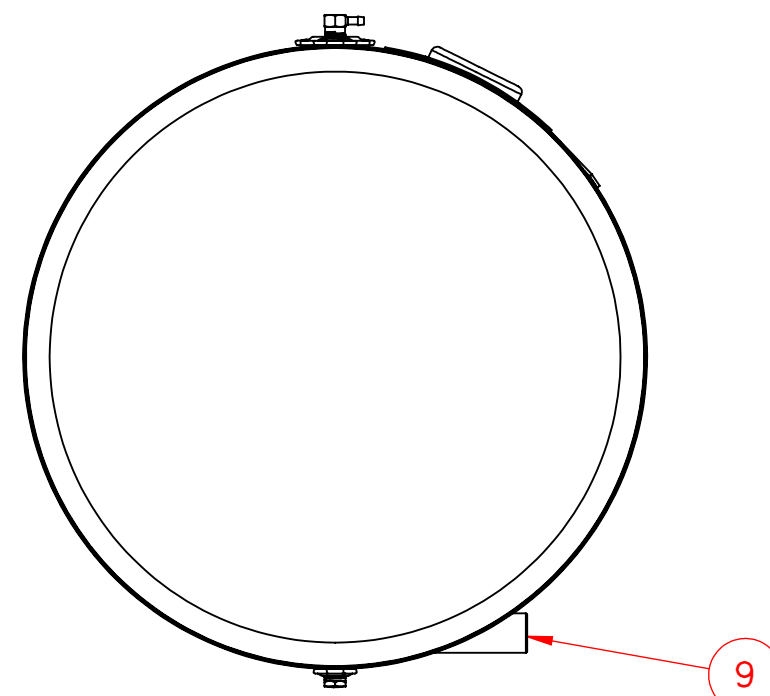
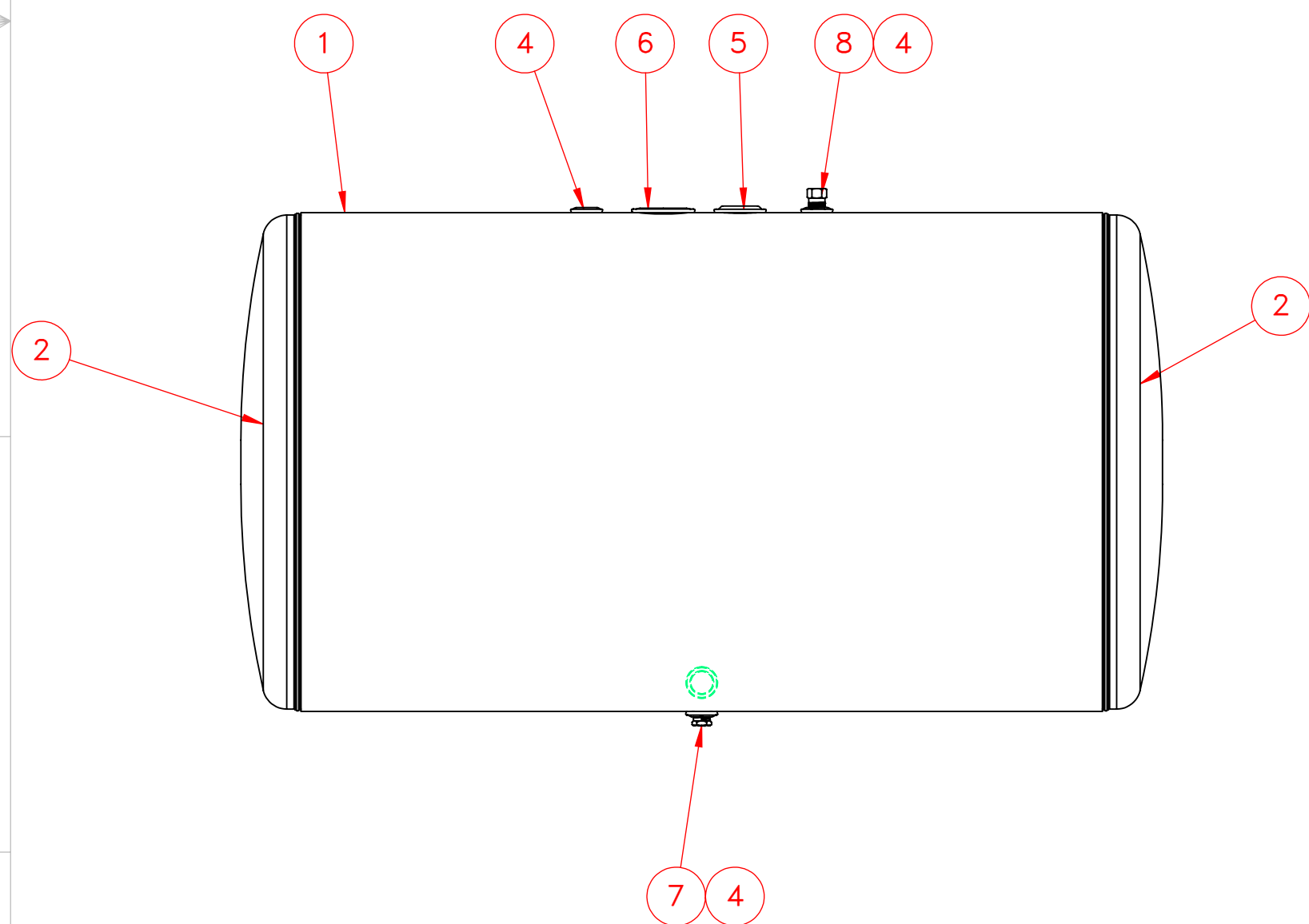


DETAIL A
SCALE 1 : 2



NOTES FOR STANDARD CONSTRUCTION:
 ...MEETS FMCSA REQUIREMENTS.
 ...PRESSURE TESTED @ 5psi
 ...INTERIOR FREE OF FOREIGN MATTER.
 ...DRAIN PLUG & VENT PROVIDED.
 ...FULL BAFFLE(S) WHERE SHOWN
 ...ALUMINUM CONSTRUCTION:
 1/8" 5052-H32 ALUMINUM, BRIGHT FINISH
 ...ALL OPENINGS PLUGGED PRIOR TO SHIPPING



ITEM NO.	PART NUMBER	DESCRIPTION	QTY.
1	116-1285	1/8" Aluminum Wrap	1
2	160-0109	26" Aluminum Head	2
3	316-0016	Peaterbilt Filer	1
4	260-0005	1/2" FNPT Aluminum weld flange	3
5	260-0008	1 1/4" FNPT weld flange	1
6	265-0009	Aluminum Float Riser	1
7	458-0100	1/2" NPT Ball Check Drain Plug	1
8	454-0937	1/2" NPT Ball Check Vent	1
9	312-0011	1" NPT Crossover	1

<p>PROPRIETARY AND CONFIDENTIAL THE INFORMATION CONTAINED IN THIS DRAWING IS THE SOLE PROPERTY OF PROPOWER MFG. INC. ANY REPRODUCTION IN PART OR AS A WHOLE WITHOUT THE WRITTEN PERMISSION OF PROPOWER MFG. INC. IS PROHIBITED.</p>	UNLESS OTHERWISE SPECIFIED:	DRAWN	NAME	DATE	<p>PROPOWER MFG. INC. WINDSOR, ONTARIO, CANADA Ph: 519-737-1197 Fax: 519-737-1918 TOLL FREE 1-877-741-2365 Web: metaltanks.com</p>
	DIMENSIONS ARE IN INCHES	CHECKED	A.B	11/18/19	
	TOLERANCES:	ENG APPR.			
	FRACTIONAL \pm 1/16 ANGULAR: MACH \pm 1° BEND \pm 1° TWO PLACE DECIMAL \pm .06 THREE PLACE DECIMAL \pm .031	MFG APPR.			
	INTERPRET GEOMETRIC TOLERANCING PER:	COMMENTS:			<p>TITLE: PB-R26CFA48-B 103 US GROSS GALLONS 98 USEBLE GALLONS DIESEL FUEL TANK</p>
	MATERIAL	THIRD ANGLE PROJECTION			
	FINISH				
	DO NOT SCALE DRAWING				<p>SIZE DWG. NO. REV C 25580-2</p>
					<p>SCALE: 1:8 WEIGHT: 60 LBS SHEET 1 OF 1</p>