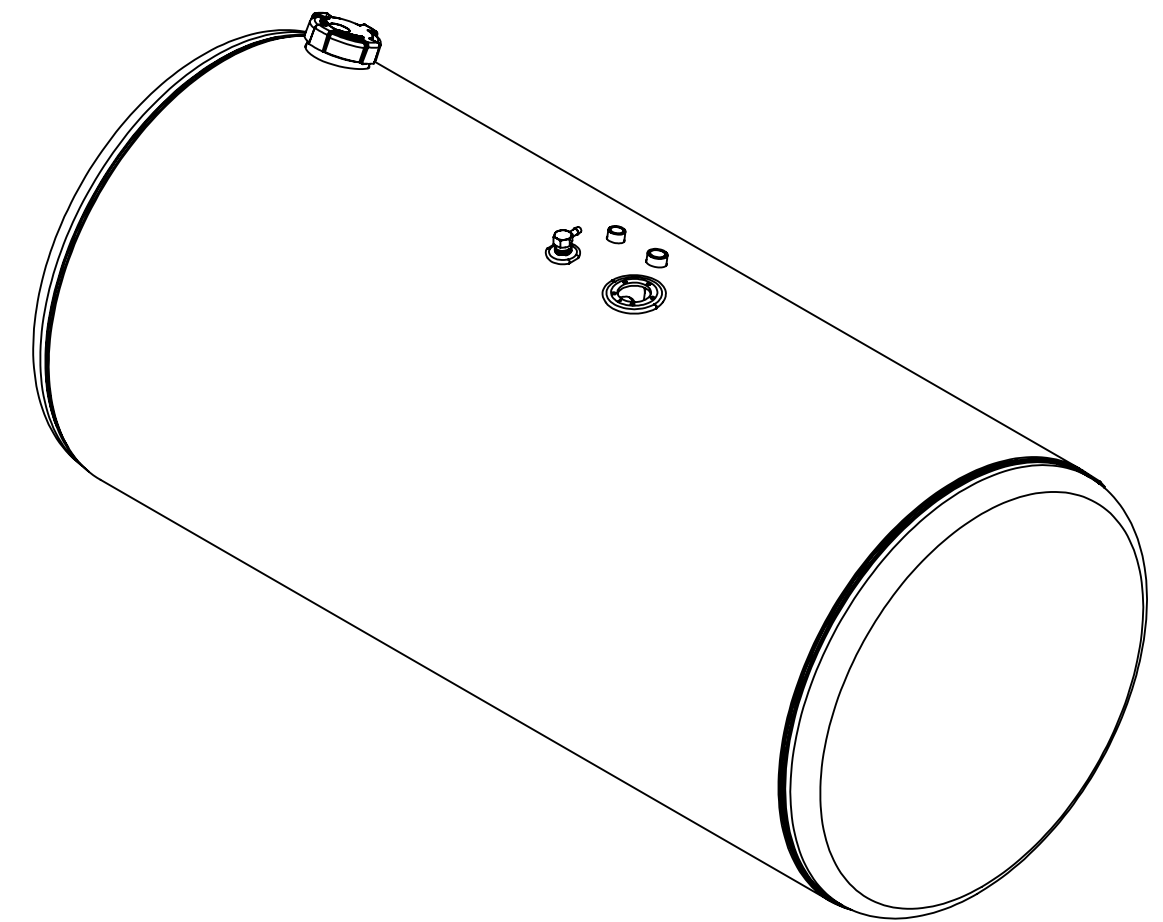
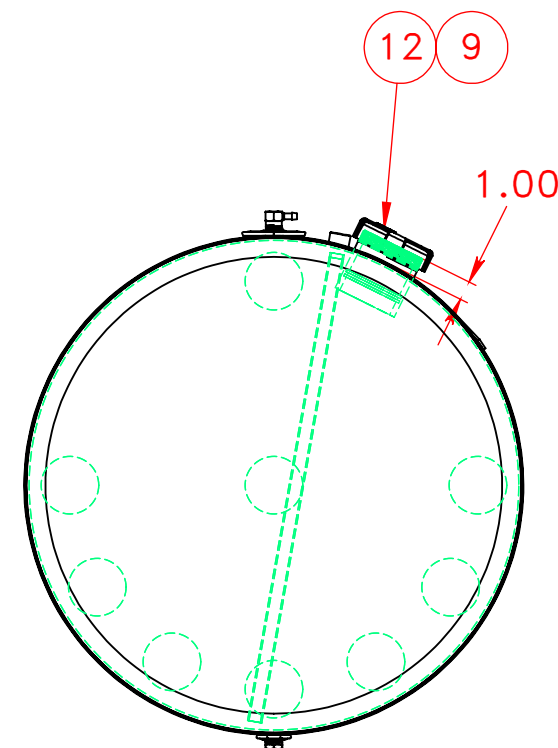
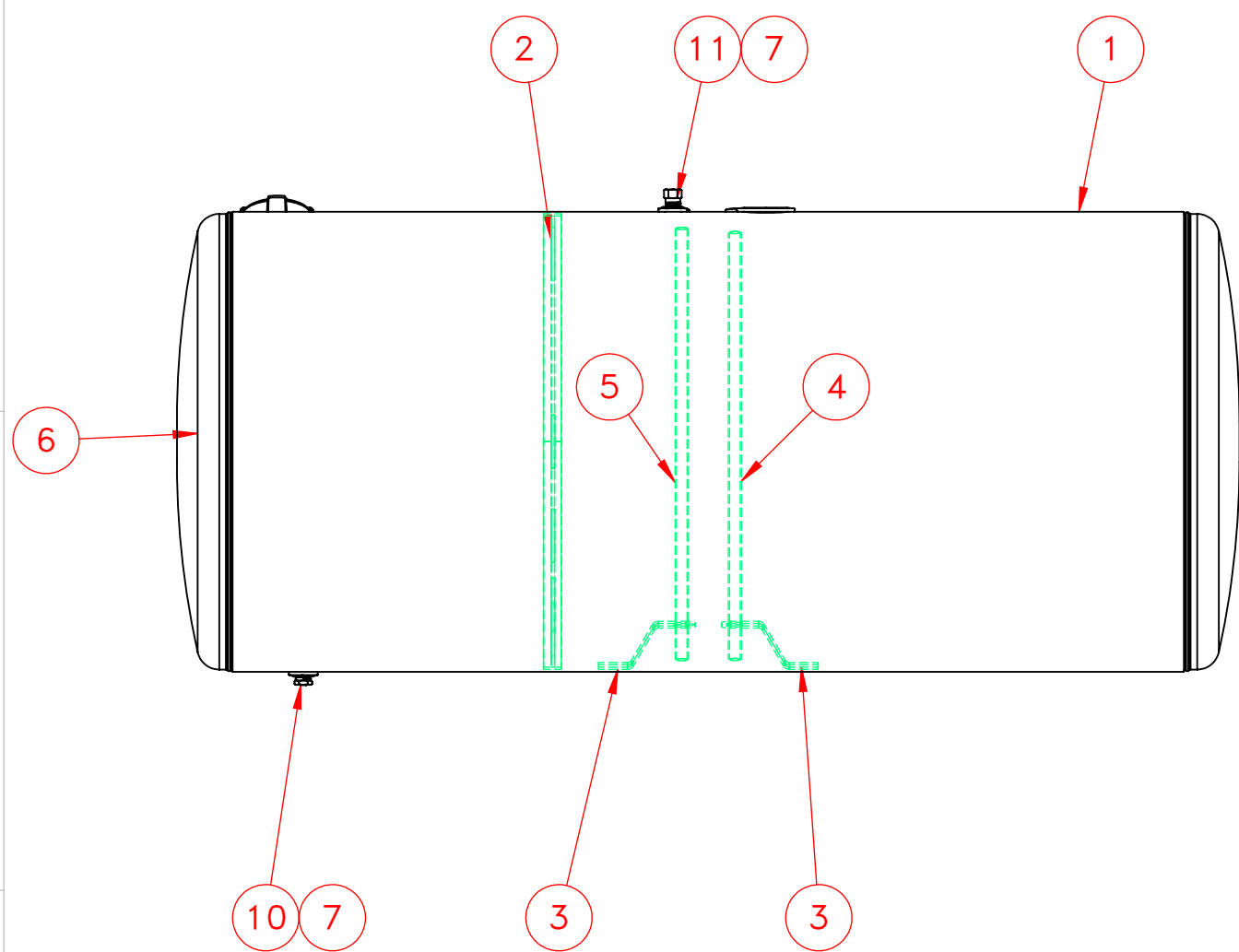


**DETAIL A**  
SCALE 1 : 2



**NOTES FOR STANDARD CONSTRUCTION:**  
 ...MEETS FMCSA REQUIREMENTS.  
 ...PRESSURE TESTED @ 5psi  
 ...INTERIOR FREE OF FOREIGN MATTER.  
 ...DRAIN PLUG & VENT PROVIDED.  
 ...FULL BAFFLE(S) WHERE SHOWN  
 ...ALUMINUM CONSTRUCTION:  
 5052-H32 ALUMINUM, BRIGHT FINISH  
 HEADS ARE 0.100" & SHELL IS 0.125"  
 ...ALL OPENINGS PLUGGED PRIOR TO SHIPPING



ITEM NO.	PART NUMBER	MakeOrBuy	DESCRIPTION	QTY.
1	116-1484		1/8" Auminum Wrap	1
2	267-0017		Baffle	1
3	490-3001		Down Tube Support	2
4	493-0002		1/2" NPT Down Tube	1
5	493-0003		3/8" NPT Down Tube	1
6	160-0109	\$	26" Aluminum Head	2
7	260-0005	\$	1/2" FNPT Aluminum weld flange	2
8	265-0010	\$	Aluminum Float Riser	1
9	316-0014	\$	3" Aluminum Filler Neck	1
10	458-0100	\$	1/2" NPT Ball Check Drain Plug	1
11	454-0937	\$	1/2" NPT Ball Check Vent	1
12	452-1628	\$	Fuel Cap 3" Pressure Relief	1

**PROPRIETARY AND CONFIDENTIAL**  
 THE INFORMATION CONTAINED IN THIS DRAWING IS THE SOLE PROPERTY OF PROPOWER MFG. INC. ANY REPRODUCTION IN PART OR AS A WHOLE WITHOUT THE WRITTEN PERMISSION OF PROPOWER MFG. INC. IS PROHIBITED.

UNLESS OTHERWISE SPECIFIED:	DRAWN	NAME	DATE
DIMENSIONS ARE IN INCHES	CHECKED	A.B	04/23/21
TOLERANCES:	ENG APPR.		
FRACTIONAL ± 1/16	MFG APPR.		
ANGULAR: MACH ± 1° BEND ± 1°	Q.A.		
TWO PLACE DECIMAL ± .06	COMMENTS:		
THREE PLACE DECIMAL ± .031			
INTERPRET GEOMETRIC TOLERANCING PER:			
MATERIAL	ALUMINUM		
FINISH			
DO NOT SCALE DRAWING	THIRD ANGLE PROJECTION		

**PROPOWER MFG. INC.**  
 WINDSOR, ONTARIO, CANADA  
 Ph: 519-737-1197 Fax: 519-737-1918  
 TOLL FREE 1-877-741-2365 Web: metaltanks.com

TITLE: **PB-R26CFA60-K**  
 130 US GROSS GALLONS  
 125 USABLE GALLONS  
 DIESEL FUEL TANK

SIZE DWG. NO. REV  
**C 27436-2**

SCALE: 1:10 WEIGHT: 82 LBS SHEET 1 OF 1