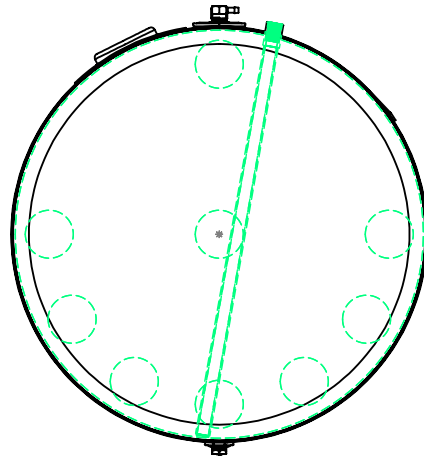
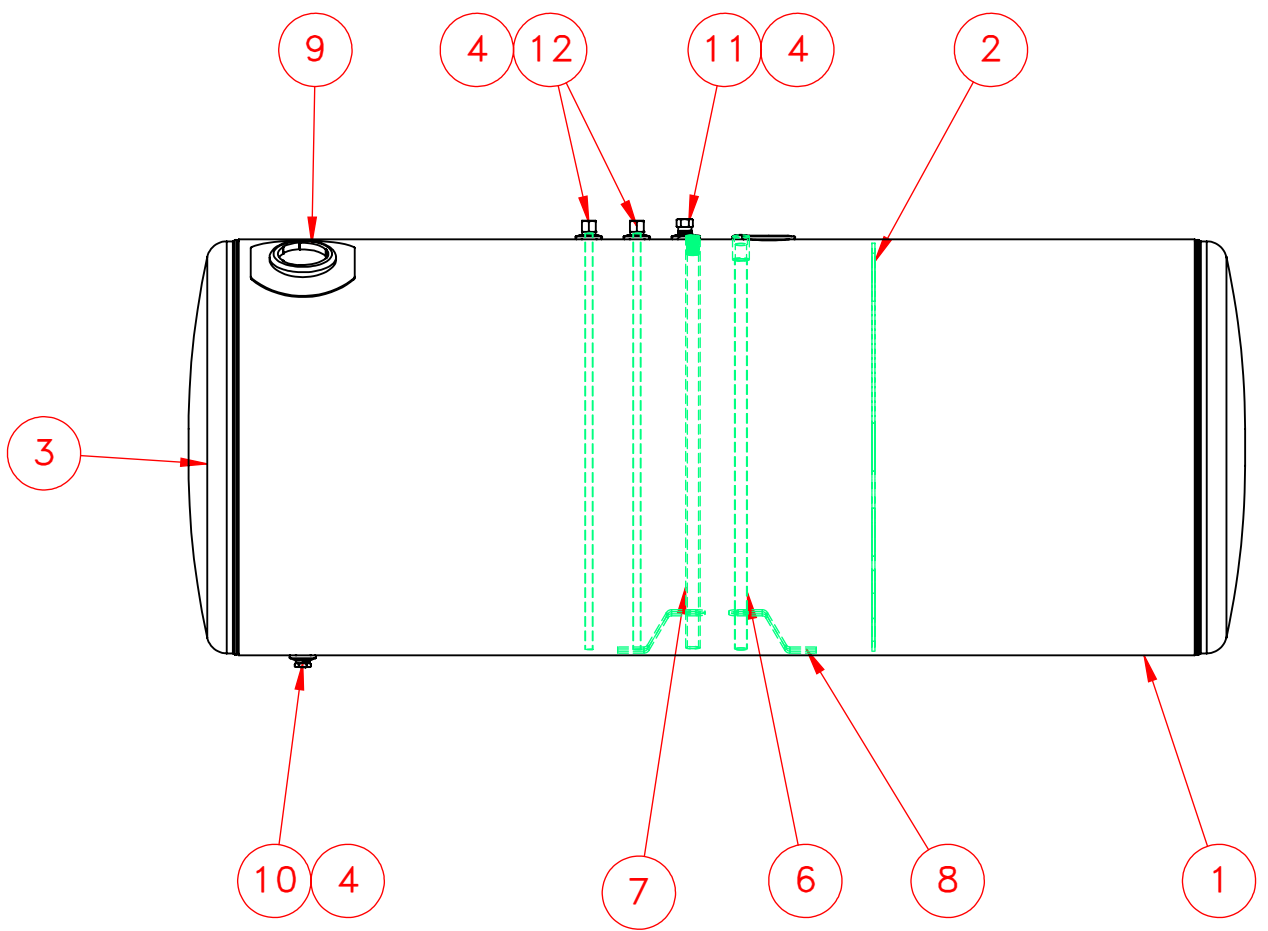
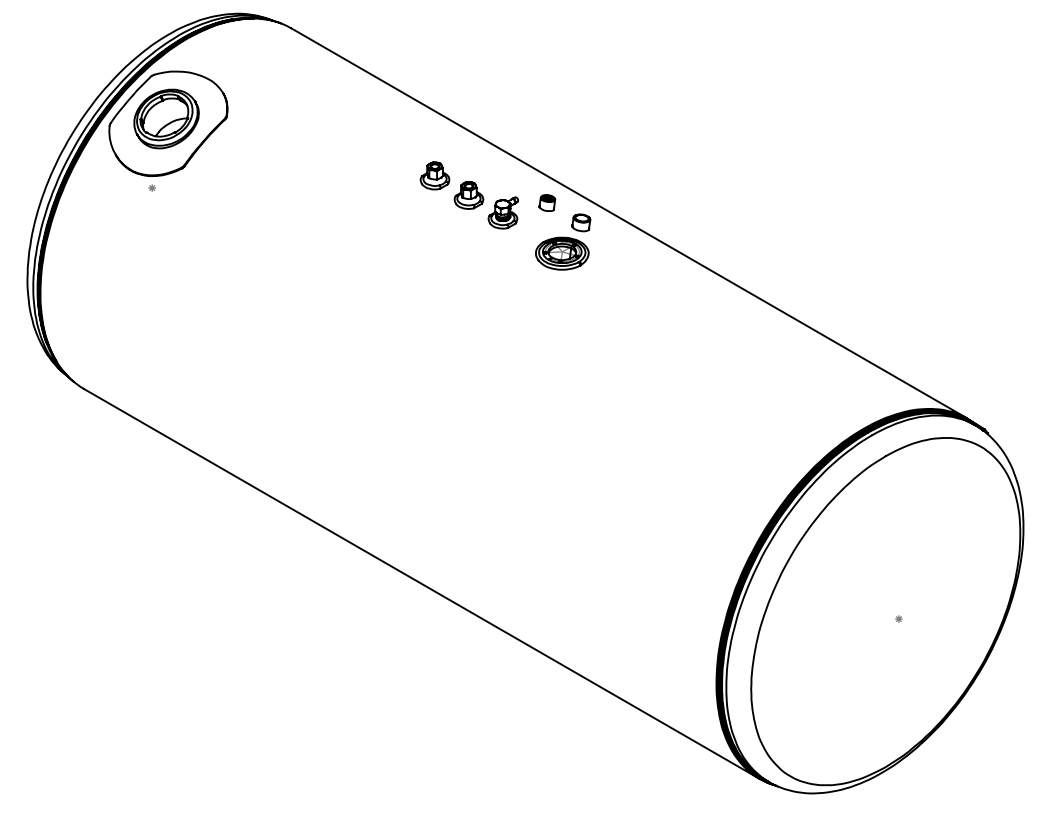


5X ϕ .16 THRU ALL
 10-32 UNF THRU ALL
 \checkmark ϕ .21 X 90°, NEAR SIDE

DETAIL A
 SCALE 1 : 2

NOTES FOR STANDARD CONSTRUCTION:
 ...MEETS FMCSA REQUIREMENTS.
 ...PRESSURE TESTED @ 5psi
 ...INTERIOR FREE OF FOREIGN MATTER.
 ...FILLER CAP, DRAIN PLUG & VENT PROVIDED.
 ...FULL BAFFLE(S) WHERE SHOWN
 ...ALUMINUM CONSTRUCTION:
 5052-H32 ALUMINUM, BRIGHT FINISH
 HEADS & SHELL IS 0.125"
 ...ALL OPENINGS PLUGGED PRIOR TO SHIPPING



ITEM NO.	PART NUMBER	DESCRIPTION	QTY.
1	116-1108	1/8" Aluminum Wrap	1
2	262-0076	26" Peterbilt Baffle	1
3	160-0109	26" Aluminum Head	2
4	260-0005	1/2" FNPT Aluminum weld flange	4
5	265-0009	Aluminum Float Riser	1
6	490-0101	1/2" FNPT Down Tube	1
7	490-0104	3/8" FNPT Down Tube	1
8	490-3001	Down Tube Support	2
9	316-0016	Peterbilt Filler	1
10	458-0100	1/2" NPT Ball Check Drain Plug	1
11	454-0937	1/2" NPT Ball Check Vent	1
12	492-0026-Z	1/4" FNPT X 1/2" NPT 1/2" Down Tube	2

PROPRIETARY AND CONFIDENTIAL
 THE INFORMATION CONTAINED IN THIS DRAWING IS THE SOLE PROPERTY OF PROPOWER MFG. INC. ANY REPRODUCTION IN PART OR AS A WHOLE WITHOUT THE WRITTEN PERMISSION OF PROPOWER MFG. INC. IS PROHIBITED.

UNLESS OTHERWISE SPECIFIED:	DRAWN	NAME	DATE
DIMENSIONS ARE IN INCHES	CHECKED	A.B	01/19/18
TOLERANCES:	ENG APPR.		
FRACTIONAL \pm 1/16	MFG APPR.		
ANGULAR: MACH \pm 1° BEND \pm 1°	Q.A.		
TWO PLACE DECIMAL \pm .06	COMMENTS:		
THREE PLACE DECIMAL \pm .031			
INTERPRET GEOMETRIC TOLERANCING PER:			
MATERIAL	ALUMINUM		
FINISH			
DO NOT SCALE DRAWING	THIRD ANGLE PROJECTION		

PROPOWER MFG. INC.
 WINDSOR, ONTARIO, CANADA
 Ph: 519-737-1197 Fax: 519-737-1918
 TOLL FREE 1-877-741-2365 Web: metaltanks.com

TITLE:
PB-R26CFA66-B
 150 US gal DIESEL FUEL TANK

SIZE DWG. NO. REV
C 23249-2

SCALE: 1:12 WEIGHT: 89 LBS SHEET 1 OF 2