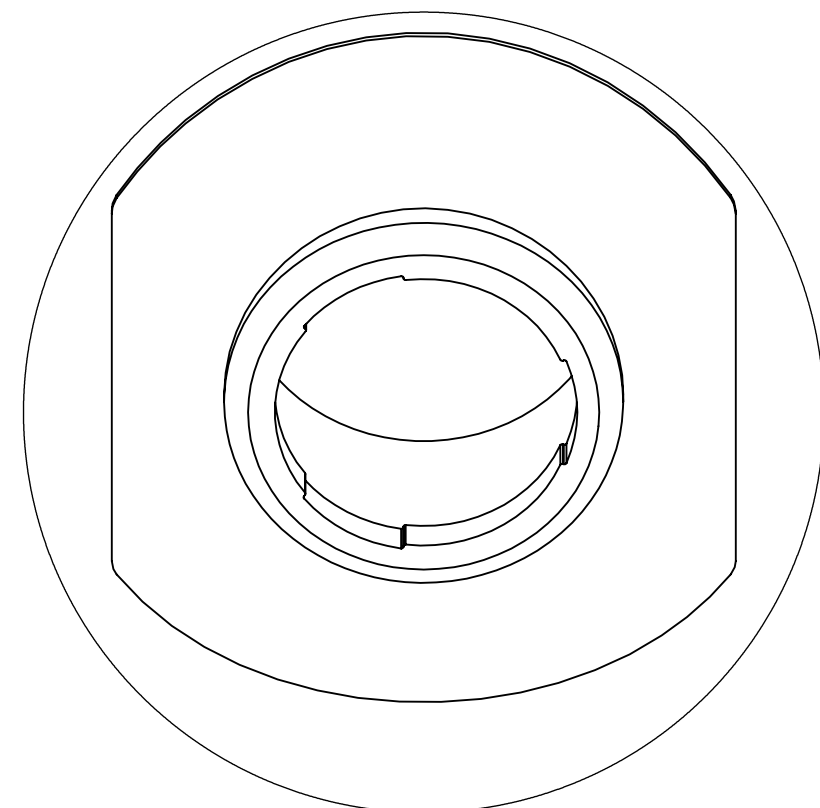
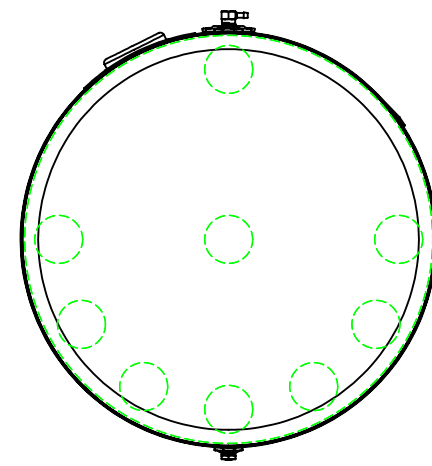
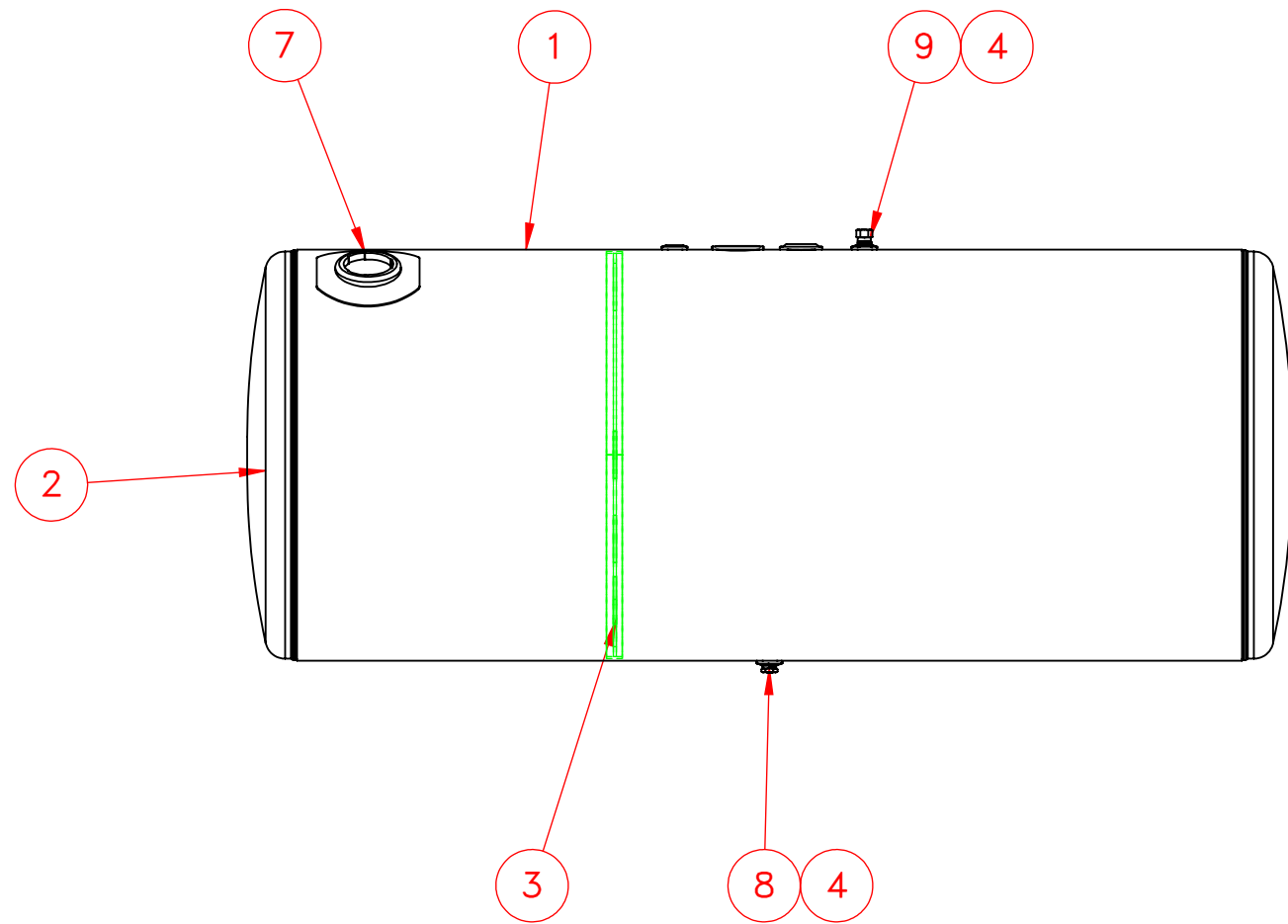


**DETAIL A**  
**SCALE 1 : 2**

NOTES FOR STANDARD CONSTRUCTION:  
 ...MEETS FMCSA REQUIREMENTS.  
 ...PRESSURE TESTED @ 5psi  
 ...INTERIOR FREE OF FOREIGN MATTER.  
 ...DRAIN PLUG & VENT PROVIDED.  
 ...FULL BAFFLE(S) WHERE SHOWN  
 ...ALUMINUM CONSTRUCTION:  
 5052-H32 ALUMINUM, BRIGHT FINISH  
 HEADS ARE 0.100" & SHELL IS 0.125"  
 ...ALL OPENINGS PLUGGED PRIOR TO SHIPPING



**DETAIL B**  
**SCALE 1 : 2**

ITEM NO.	PART NUMBER	MakeOrBuy	DESCRIPTION	QTY.
1	116-1480		1/8" Auminum Wrap	1
2	160-0109	\$	26" Aluminum Head	2
3	267-0017		Baffle	1
4	260-0005	\$	1/2" FNPT Aluminum weld flange	3
5	260-0008	\$	1 1/4" FNPT weld flange	1
6	265-0010	\$	Aluminum Float Riser	1
7	316-0016	\$	Peterbilt Filer	1
8	458-0100	\$	1/2" NPT Ball Check Drain Plug	1
9	454-0937	\$	1/2" NPT Ball Check Vent	1

**PROPRIETARY AND CONFIDENTIAL**  
 THE INFORMATION CONTAINED IN THIS DRAWING IS THE SOLE PROPERTY OF PROPOWER MFG. INC. ANY REPRODUCTION IN PART OR AS A WHOLE WITHOUT THE WRITTEN PERMISSION OF PROPOWER MFG. INC. IS PROHIBITED.

UNLESS OTHERWISE SPECIFIED:	DRAWN	NAME	DATE
DIMENSIONS ARE IN INCHES	CHECKED	Admin	07-21-21
TOLERANCES:	ENG APPR.		
FRACTIONAL ± 1/16	MFG APPR.		
ANGULAR: MACH ± 1° BEND ± 1°	Q.A.		
TWO PLACE DECIMAL ± .06	COMMENTS:		
THREE PLACE DECIMAL ± .031			
INTERPRET GEOMETRIC TOLERANCING PER:			
MATERIAL	ALUMINUM		
FINISH			
DO NOT SCALE DRAWING	THIRD ANGLE PROJECTION		

PROPOWER MFG. INC.  
 WINDSOR, ONTARIO, CANADA  
 Ph: 519-737-1197 Fax: 519-737-1918  
 TOLL FREE 1-877-741-2365 Web: metaltanks.com

TITLE: PB-R26CFA66-E  
 145 US GROSS GALLONS  
 137 USABLE GALLONS  
 DIESEL FUEL TANK

SIZE DWG. NO. REV  
**C 26945-2**

SCALE: 1:12; WEIGHT: 87 LBS; SHEET 1 OF 5