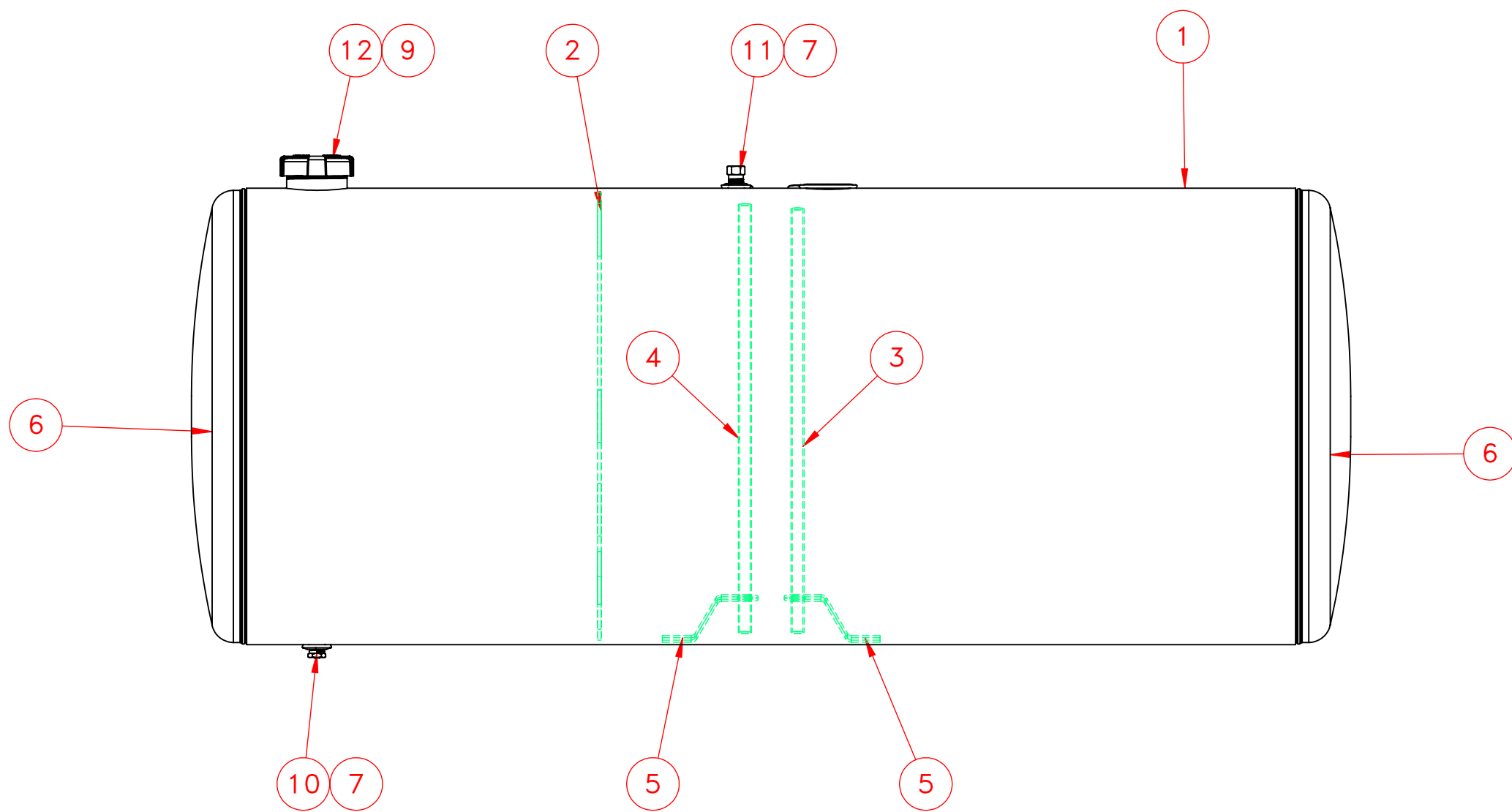
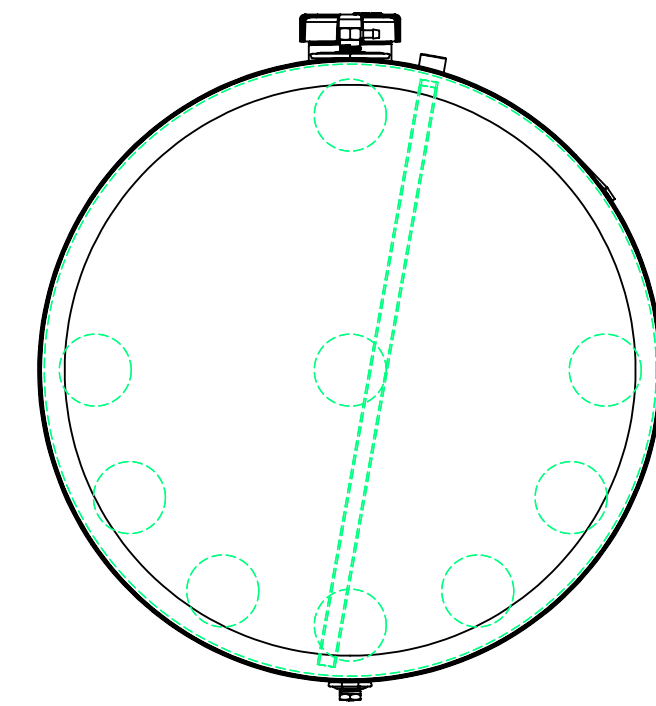


DETAIL A
SCALE 1 : 2



NOTES FOR STANDARD CONSTRUCTION:
 ...MEETS FMCSA REQUIREMENTS.
 ...PRESSURE TESTED @ 5psi
 ...INTERIOR FREE OF FOREIGN MATTER.
 ...FILLER CAP, DRAIN PLUG & VENT PROVIDED.
 ...FULL BAFFLE(S) WHERE SHOWN
 ...ALUMINUM CONSTRUCTION:
 5052-H32 ALUMINUM, BRIGHT FINISH
 HEADS & SHELL IS 0.125"
 ...ALL OPENINGS PLUGGED PRIOR TO SHIPPING

PROPRIETARY AND CONFIDENTIAL
 THE INFORMATION CONTAINED IN THIS DRAWING IS THE SOLE PROPERTY OF PROPOWER MFG. INC. ANY REPRODUCTION IN PART OR AS A WHOLE WITHOUT THE WRITTEN PERMISSION OF PROPOWER MFG. INC. IS PROHIBITED.

UNLESS OTHERWISE SPECIFIED:	DRAWN	NAME	DATE
DIMENSIONS ARE IN INCHES	CHECKED	A.B	05/03/21
TOLERANCES:	ENG APPR.		
FRACTIONAL $\pm 1/16$	MFG APPR.		
ANGULAR: MACH $\pm 1^\circ$ BEND $\pm 1^\circ$	Q.A.		
TWO PLACE DECIMAL $\pm .06$	COMMENTS:		
THREE PLACE DECIMAL $\pm .031$			
INTERPRET GEOMETRIC TOLERANCING PER:			
MATERIAL	ALUMINUM		
FINISH			
DO NOT SCALE DRAWING	THIRD ANGLE PROJECTION		

PROPOWER MFG. INC. WINDSOR, ONTARIO, CANADA Ph: 519-737-1197 Fax: 519-737-1918 TOLL FREE 1-877-741-2365 Web: metaltanks.com		
TITLE: PB-R26CFA66-H 145 US GROSS GALLONS 137 USABLE GALLONS DIESEL FUEL TANK		
SIZE DWG. NO. C 27508-2	REV	SCALE: 1:8 WEIGHT: 86 LBS SHEET 1 OF 2

D
C
B
A

ITEM NO.	PART NUMBER	MakeOrBuy	DESCRIPTION	QTY.
1	116-1490		1/8" Auminum Wrap	1
2	267-0017		Baffle	1
3	493-0002		1/2" NPT Down Tube	1
4	493-0003		3/8" NPT Down Tube	1
5	490-3001		Down Tube Support	2
6	160-0109	\$	26" Aluminum Head	2
7	260-0005	\$	1/2" FNPT Aluminum weld flange	2
8	265-0010	\$	Aluminum Float Riser	1
9	316-0014	\$	3" Aluminum Filler Neck	1
10	458-0100	\$	1/2" NPT Ball Check Drain Plug	1
11	454-0937	\$	1/2" NPT Ball Check Vent	1
12	452-1628	\$	Fuel Cap 3" Pressure Relief	1

PROPRIETARY AND CONFIDENTIAL
 THE INFORMATION CONTAINED IN THIS DRAWING IS THE SOLE PROPERTY OF PROPOWER MFG. INC. ANY REPRODUCTION IN PART OR AS A WHOLE WITHOUT THE WRITTEN PERMISSION OF PROPOWER MFG. INC. IS PROHIBITED.

UNLESS OTHERWISE SPECIFIED:		NAME	DATE	PROPOWER MFG. INC. WINDSOR, ONTARIO, CANADA Ph; 519-737-1197 Fax; 519-737-1918 TOLL FREE 1877-7412365 Web; metaltanks.com	
DIMENSIONS ARE IN INCHES		DRAWN	A.B		TITLE: BILL OF MATERIALS
TOLERANCES:		CHECKED			
FRACTIONAL ± 1/16		ENG APPR.			
ANGULAR: MACH ± 1° BEND ± 1°		MFG APPR.			
TWO PLACE DECIMAL ± .06		Q.A.		SIZE DWG. NO. REV B BOM	
THREE PLACE DECIMAL ± .031		COMMENTS:		SCALE: 1:8 WEIGHT: SHEET 2 OF 2	
INTERPRET GEOMETRIC TOLERANCING PER:		THIRD ANGLE PROJECTION			
MATERIAL					
FINISH					
DO NOT SCALE DRAWING					