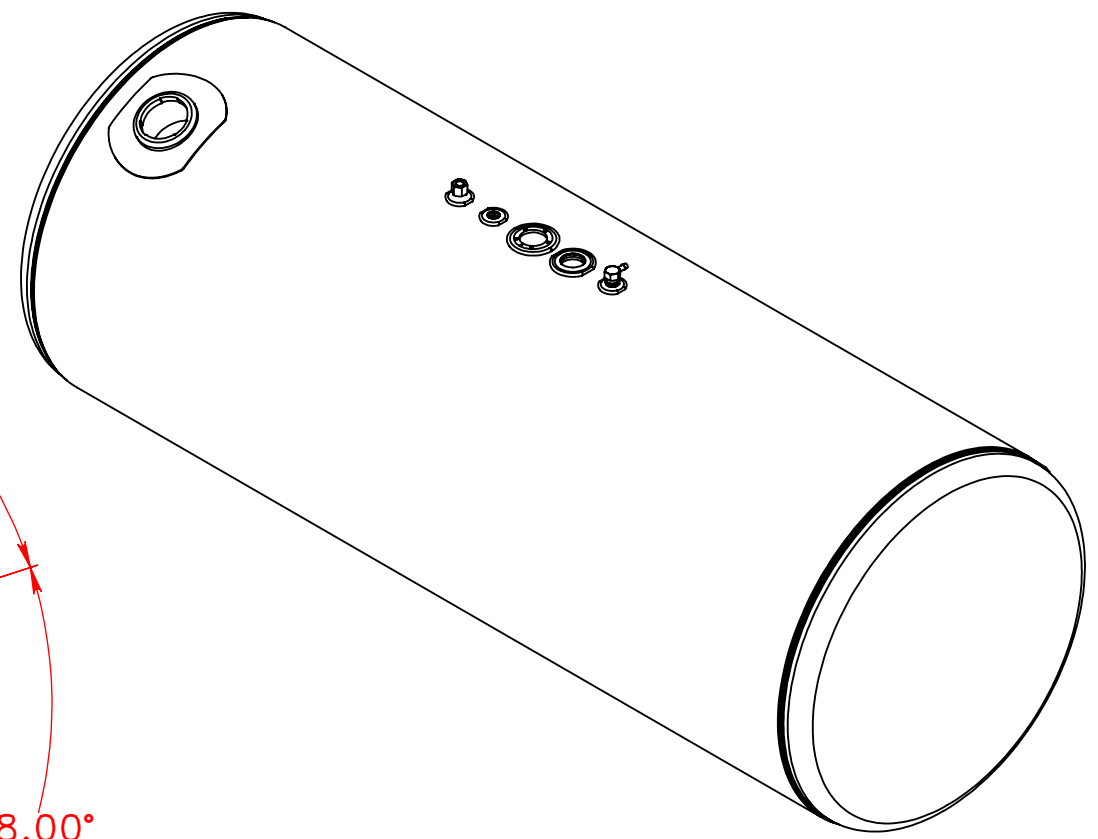
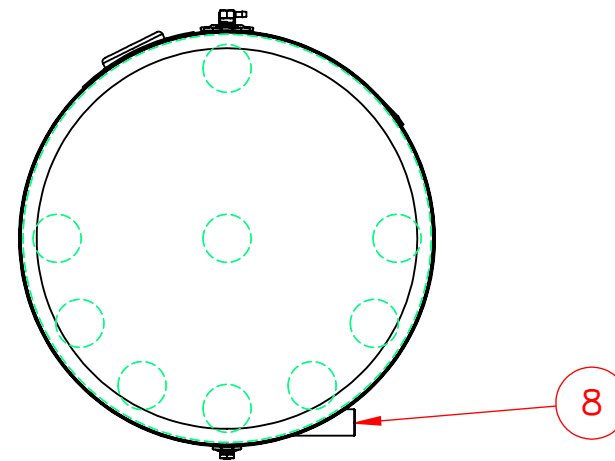
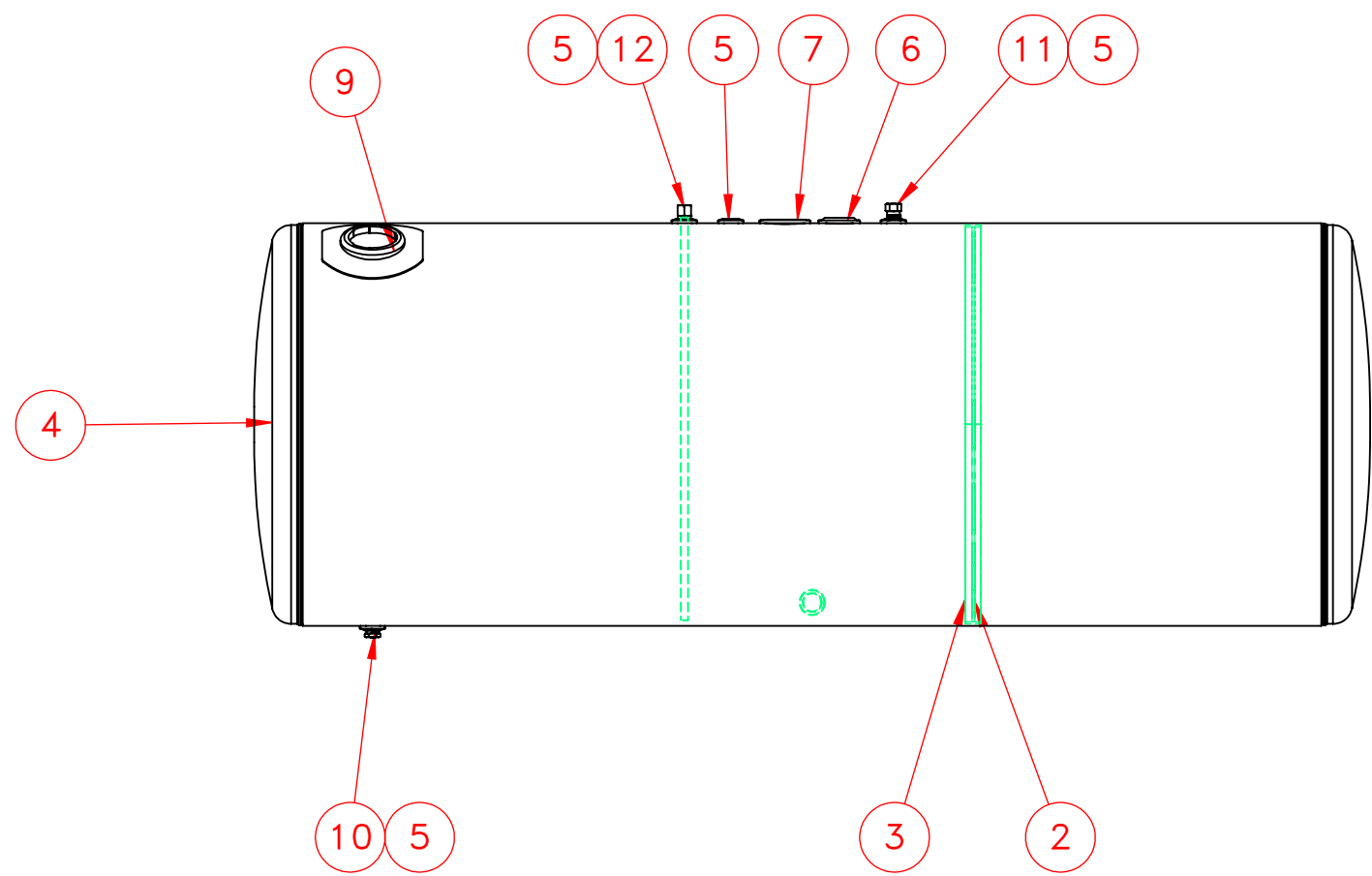


5X $\phi .16$ THRU ALL
 10-32 UNF THRU ALL
 $\checkmark \phi .21$ X 90°, NEAR SIDE



DETAIL A
 SCALE 1 : 2



NOTES FOR STANDARD CONSTRUCTION:
 ...MEETS FMCSA REQUIREMENTS.
 ...PRESSURE TESTED @ 5psi
 ...INTERIOR FREE OF FOREIGN MATTER.
 ...FULL BAFFLE(S) WHERE SHOWN
 ...ALUMINUM CONSTRUCTION:
 5052-H32 ALUMINUM, BRIGHT FINISH
 HEADS & SHELL IS 0.125"
 ...ALL OPENINGS PLUGGED PRIOR TO SHIPPING

ITEM NO.	PART NUMBER	DESCRIPTION	QTY.
1	116-1240	1/8" Auminum Wrap	1
2	262-0076	26" Peterbilt Baffle	1
3	260-0104	Baffle Ring	1
4	160-0109	26" Aluminum Head	2
5	260-0005	1/2" FNPT Aluminum weld flange	4
6	260-0008	1 1/4" FNPT weld flange	1
7	265-0009	Aluminum Float Riser	1
8	312-0011	1" NPT Crossover	1
9	316-0016	Peaterbilt Filer	1
10	458-0100	1/2" NPT Ball Check Drain Plug	1
11	454-0937	1/2" NPT Ball Check Vent	1
12	492-0026-Z	1/4" FNPT X 1/2" NPT 1/2" Down Tube	1

UNLESS OTHERWISE SPECIFIED: DIMENSIONS ARE IN INCHES TOLERANCES: FRACTIONAL $\pm 1/16$ ANGULAR: MACH $\pm 1^\circ$ BEND $\pm 1^\circ$ TWO PLACE DECIMAL $\pm .06$ THREE PLACE DECIMAL $\pm .031$	DRAWN	NAME	DATE	PROPOWER MFG. INC. WINDSOR, ONTARIO, CANADA Ph: 519-737-1197 Fax: 519-737-1918 TOLL FREE 1-877-741-2365 Web: metaltanks.com	
	CHECKED	A.B	05/14/19		
	ENG APPR.				
	MFG APPR.				
INTERPRET GEOMETRIC TOLERANCING PER: MATERIAL ALUMINUM FINISH DO NOT SCALE DRAWING	Q.A. COMMENTS:	TITLE: PB-R26CFA72-G 150 US gal DIESEL FUEL TANK	SIZE DWG. NO. C 24939	REV SCALE: 1:12, WEIGHT: 93 LBS SHEET 1 OF 2	

PROPRIETARY AND CONFIDENTIAL
 THE INFORMATION CONTAINED IN THIS
 DRAWING IS THE SOLE PROPERTY OF
 PROPOWER MFG. INC. ANY
 REPRODUCTION IN PART OR AS A WHOLE
 WITHOUT THE WRITTEN PERMISSION OF
 PROPOWER MFG. INC. IS PROHIBITED.