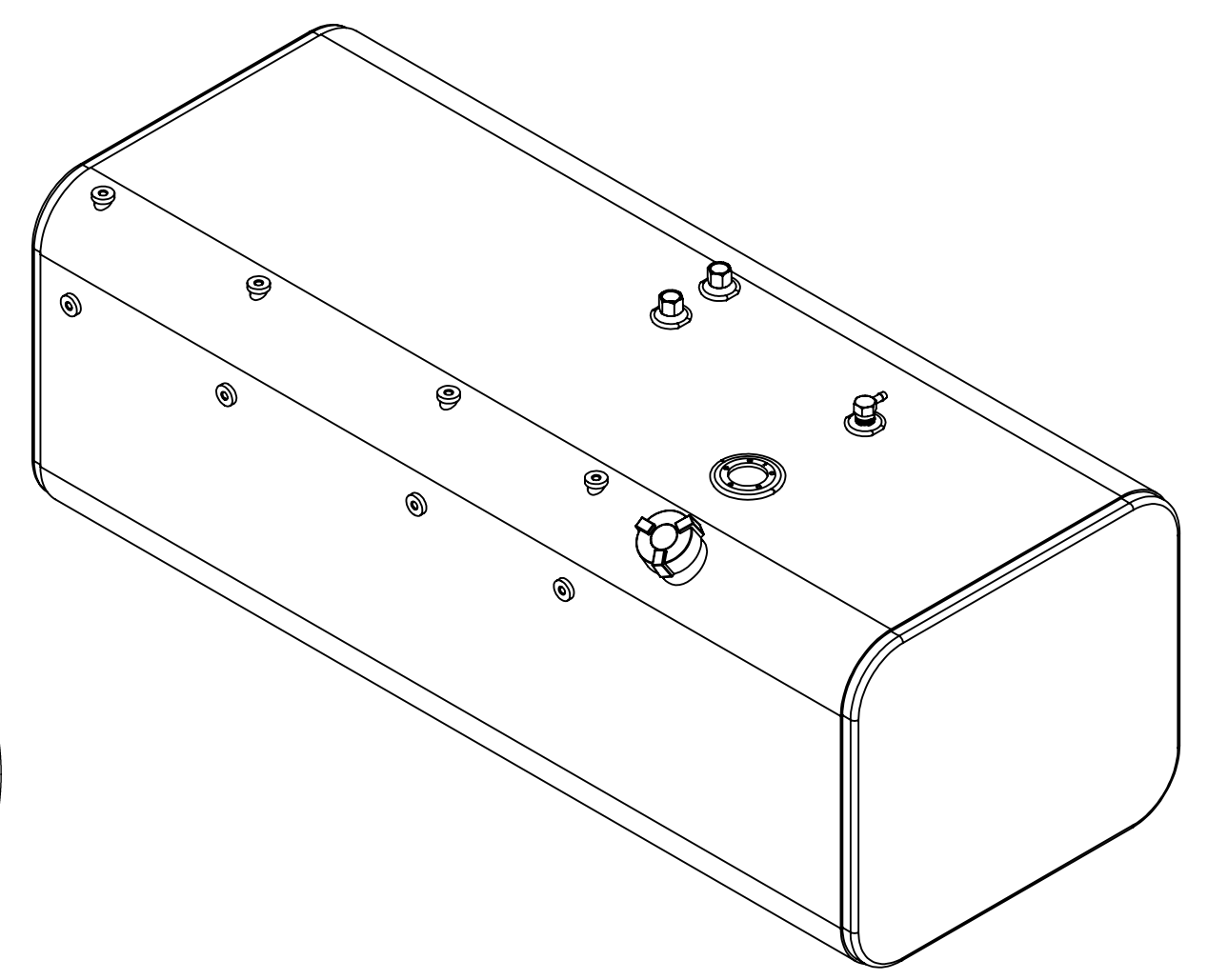
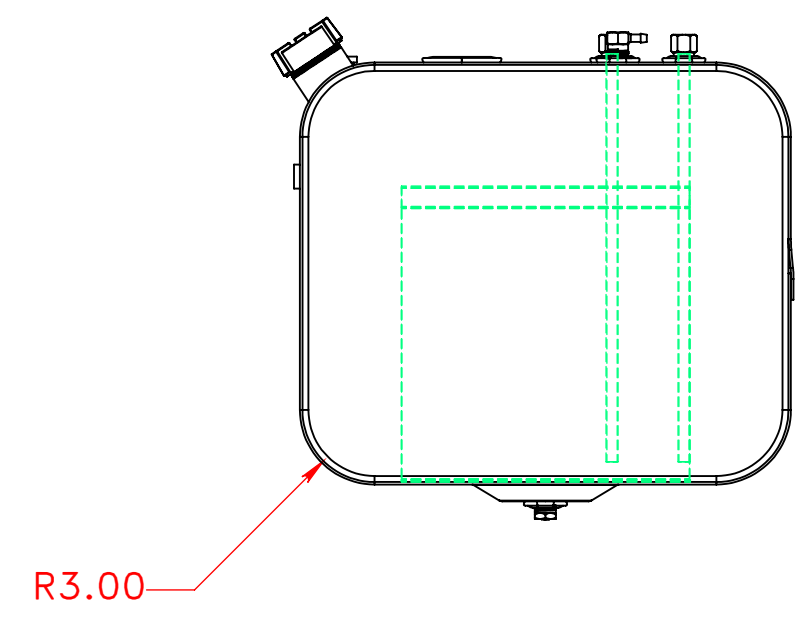
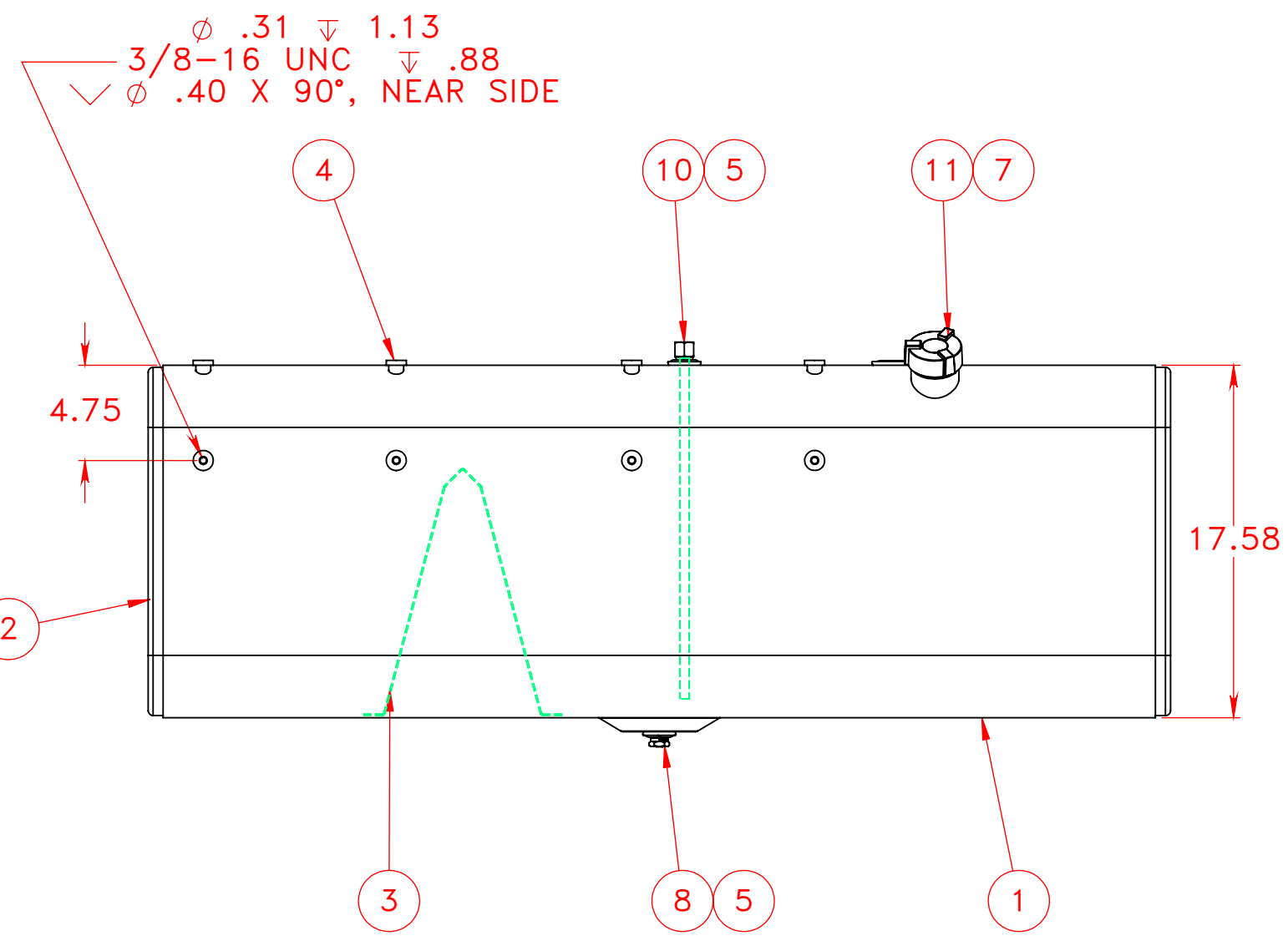


DETAIL A
SCALE 1 : 2



NOTES FOR STANDARD CONSTRUCTION:

- ...PRESSURE TESTED @ 5psi PER FMCSA
- ...INTERIOR FREE OF FOREIGN MATTER.
- ...FILLER CAP, DRAIN PLUG & VENT PROVIDED.
- ...REPLACEABLE DRAW TUBE
- ...STEEL CONSTRUCTION 12ga HRPO
- ...STEEL FINISH;
- JET BLACK POWDER COAT APPLIED.
- ...ALL OPENINGS PLUGGED & THE INTERIOR FOGGED WITH ANTI-CORROSION OIL PRIOR TO SHIPPING



ITEM NO.	PART NUMBER	MakeOrBuy	DESCRIPTION	QTY.
1	126-0896		12 ga HRPO Steel Wrap	1
2	170-0015		17x20 Head	2
3	172-0082		Steel Tank Baffle x 12 ga.	1
4	227-0001	\$	Step Boss	8
5	270-0007	\$	1/2" FNPT Steel weld flange	4
6	275-0002	\$	Steel Float Riser	1
7	326-0001	\$	2" Steel Filler Neck	1
8	458-0100	\$	1/2" NPT Ball Check Drain Plug	1
9	454-0937	\$	1/2" NPT Ball Check Vent	1
10	490-0017-Z		1/2" NPT Down Tube	2
11	452-0998	\$	2" Thermal Relief Fuel Cap	1

<small>UNLESS OTHERWISE SPECIFIED: DIMENSIONS ARE IN INCHES TOLERANCES: FRACTIONAL ± 1/16 ANGULAR: MACH ± 1° BEND ± 1° TWO PLACE DECIMAL ± .06 THREE PLACE DECIMAL ± .031</small>	DRAWN	NAME	DATE	PROPOWER MFG. INC. WINDSOR, ONTARIO, CANADA Ph: 519-737-1197 Fax: 519-737-1918 TOLL FREE 1-877-741-2365 Web: metaltanks.com
	CHECKED	A.B	06/29/20	
	ENG APPR.			
	MFG APPR.			
<small>INTERPRET GEOMETRIC TOLERANCING PER: MATERIAL</small> HRPO STEEL	COMMENTS:	<small>Q.A.</small>		<small>TITLE:</small> ST-L17-20RFS51-D 75 US gal DIESEL FUEL TANK
<small>FINISH</small> DO NOT SCALE DRAWING	<small>THIRD ANGLE PROJECTION</small>	<small>SCALE:</small> 1:8	<small>SIZE DWG. NO.</small> C 26251	<small>REV</small>

SCALE: 1:8 WEIGHT: 140 LBS SHEET 1 OF 1

PROPRIETARY AND CONFIDENTIAL
THE INFORMATION CONTAINED IN THIS DRAWING IS THE SOLE PROPERTY OF PROPOWER MFG. INC. ANY REPRODUCTION IN PART OR AS A WHOLE WITHOUT THE WRITTEN PERMISSION OF PROPOWER MFG. INC. IS PROHIBITED.