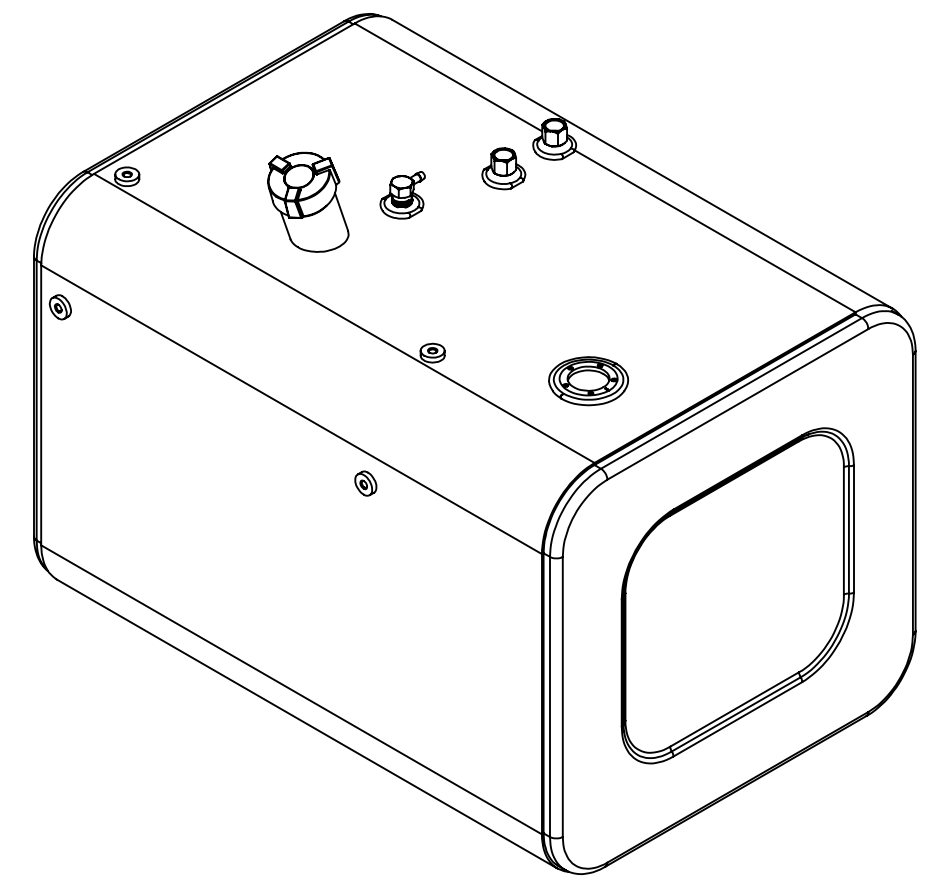
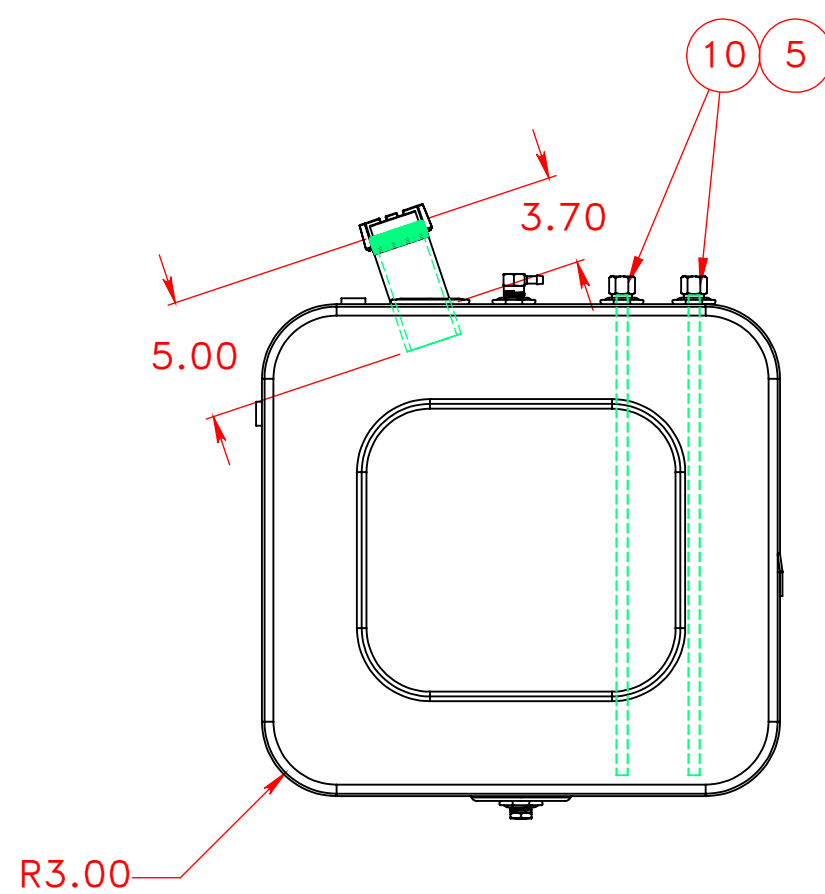
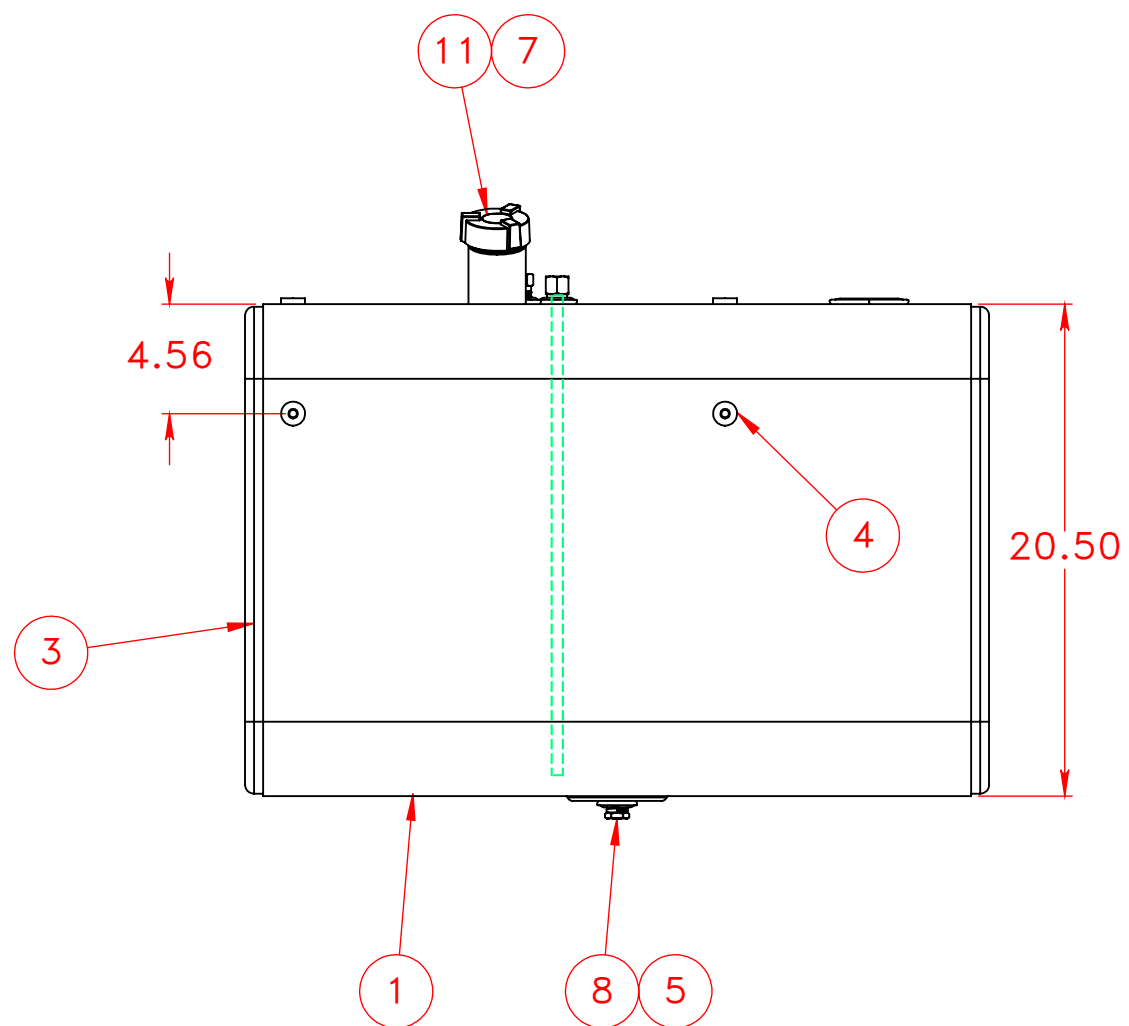


DETAIL A  
SCALE 1 : 2



NOTES FOR STANDARD CONSTRUCTION:

- ...PRESSURE TESTED @ 5psi PER FMCSA
- ...INTERIOR FREE OF FOREIGN MATTER.
- ...FILLER CAP, DRAIN PLUG, DRAW TUB & VENT PROVIDED.
- ...STEEL CONSTRUCTION 12ga HRPO
- ...STEEL FINISH;
- ...JET BLACK POWDER COAT APPLIED.
- ...ALL OPENINGS PLUGGED & THE INTERIOR FOGGED WITH ANTI-CORROSION OIL PRIOR TO SHIPPING



ITEM NO.	PART NUMBER	MakeOrBuy	DESCRIPTION	QTY.
1	126-0916		12 ga HRPO Steel Wrap	1
2	222-0001	\$	3/16x1x1x13" Angle	2
3	170-0022		20.5x21.59 Head	2
4	227-0001	\$	Step Boss	4
5	270-0007	\$	1/2" FNPT Steel weld flange	4
6	275-0002	\$	Steel Float Riser	1
7	316-0005	\$	2" Filler Neck 5" Long	1
8	458-0100	\$	1/2" NPT Ball Check Drain Plug	1
9	454-0937	\$	1/2" NPT Ball Check Vent	1
10	490-0020-Z		1/2" NPT Down Tube	2
11	452-0998	\$	2" Thermal Relief Fuel Cap	1

<p><b>PROPRIETARY AND CONFIDENTIAL</b> THE INFORMATION CONTAINED IN THIS DRAWING IS THE SOLE PROPERTY OF PROPOWER MFG. INC. ANY REPRODUCTION IN PART OR AS A WHOLE WITHOUT THE WRITTEN PERMISSION OF PROPOWER MFG. INC. IS PROHIBITED.</p>	UNLESS OTHERWISE SPECIFIED:	DRAWN	NAME	DATE	<p>PROPOWER MFG. INC. WINDSOR, ONTARIO, CANADA Ph: 519-737-1197 Fax: 519-737-1918 TOLL FREE 1-877-741-2365 Web: metaltanks.com</p>
	DIMENSIONS ARE IN INCHES	CHECKED	A.B	09/23/20	
	TOLERANCES:	ENG APPR.			
	FRACTIONAL ± 1/16 ANGULAR: MACH ± 1° BEND ± 1° TWO PLACE DECIMAL ± .06 THREE PLACE DECIMAL ± .031	MFG APPR.			
	INTERPRET GEOMETRIC TOLERANCING PER:	Q.A.			<p>TITLE: ST-L21-22RFS31-A 58 US GROSS GALLONS 55 USEBLE GALLONS DIESEL FUEL TANK</p>
	MATERIAL	COMMENTS:			
	HRPO STEEL				
	FINISH	THIRD ANGLE PROJECTION			<p>SIZE DWG. NO. REV <b>C</b> 26623-1</p>
	DO NOT SCALE DRAWING				SCALE: 1:8 WEIGHT: 102 LBS SHEET 1 OF 1