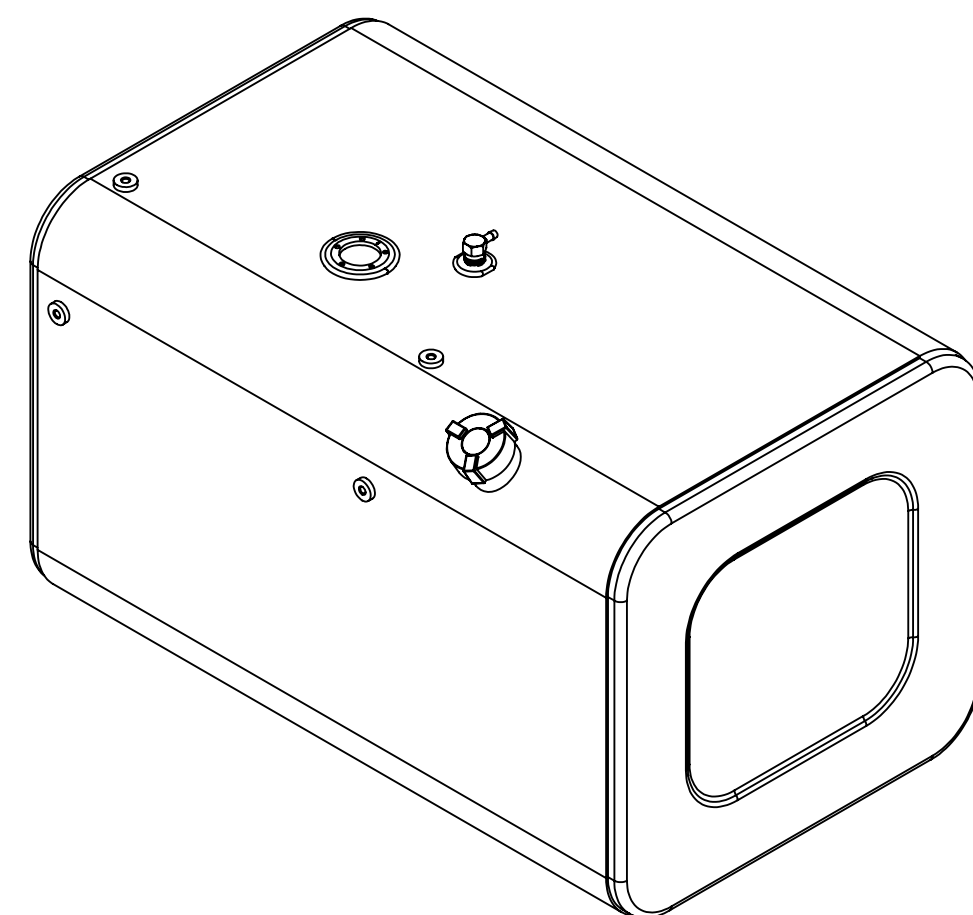
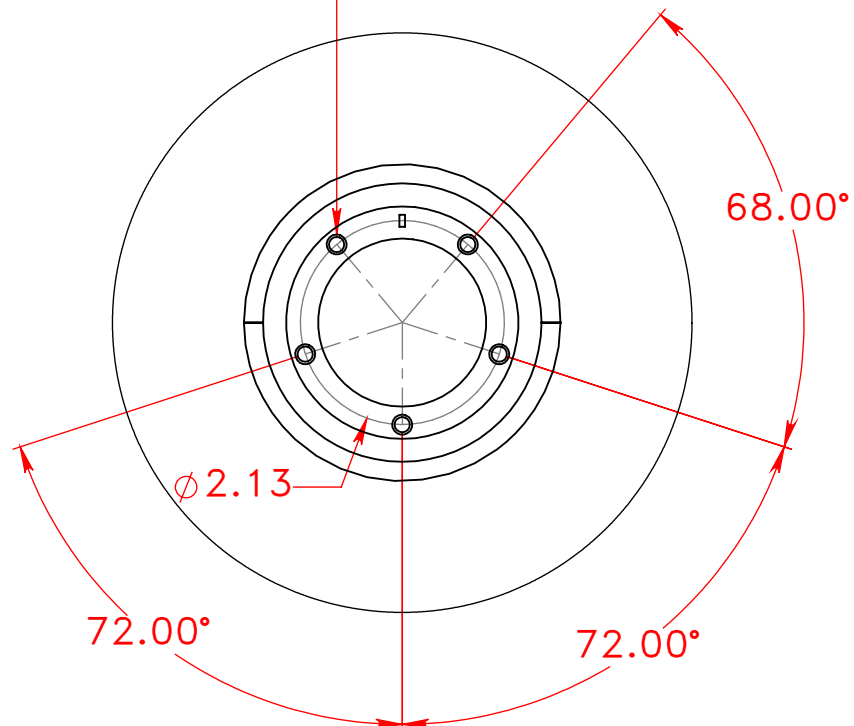


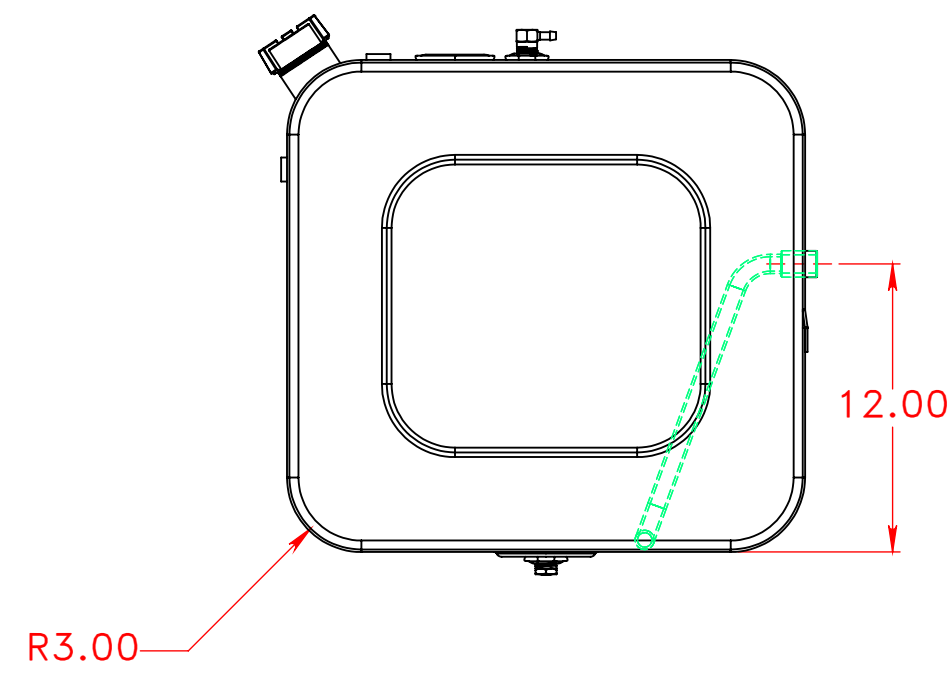
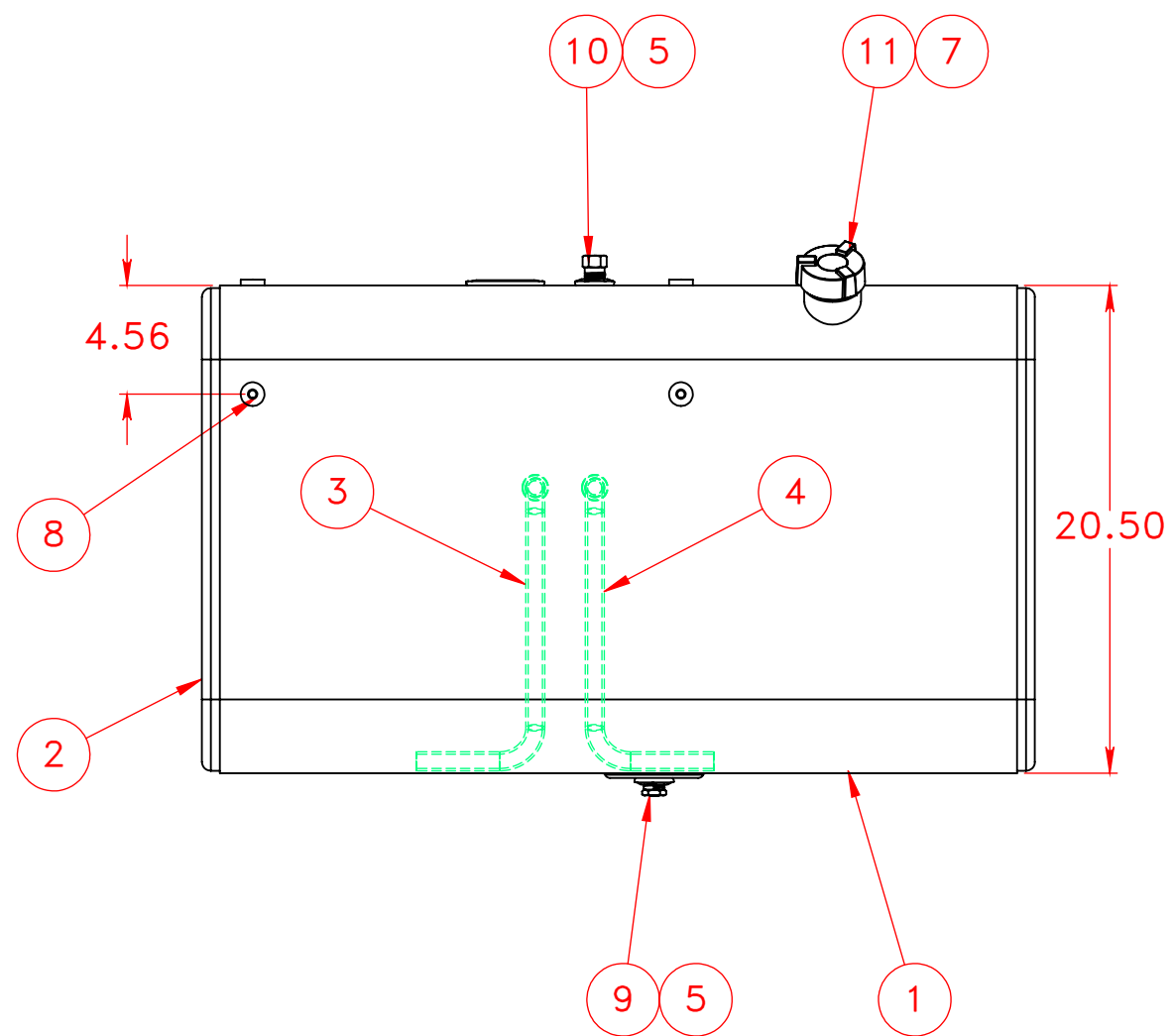
5X ϕ .16 THRU ALL
 10-32 UNF THRU ALL
 \checkmark ϕ .21 X 90°, NEAR SIDE



DETAIL A
 SCALE 1 : 2

NOTES FOR STANDARD CONSTRUCTION:

- ...PRESSURE TESTED @ 5psi PER FMCSA
- ...INTERIOR FREE OF FOREIGN MATTER.
- ...FILLER CAP, DRAIN PLUG, DRAW TUB & VENT PROVIDED.
- ...STEEL CONSTRUCTION 12ga HRPO
- ...STEEL FINISH;
- JET BLACK POWDER COAT APPLIED.
- ...ALL OPENINGS PLUGGED & THE INTERIOR FOGGED WITH ANTI-CORROSION OIL PRIOR TO SHIPPING



ITEM NO.	PART NUMBER	DESCRIPTION	QTY.
1	126-0887	12 ga HRPO Steel Wrap	1
2	170-0022	20.5x21.59 Head	2
3	491-0005	3/8" NPT Coupling with Returne Tube	1
4	490-0107	1/2" NPT Coupling with Draw Tube	1
5	270-0007	1/2" FNPT Steel weld flange	2
6	275-0002	Steel Float Riser	1
7	326-0001	2" Steel Filler Neck	1
8	227-0001	Step Boss	4
9	458-0100	1/2" NPT Ball Check Drain Plug	1
10	454-0937	1/2" NPT Ball Check Vent	1
11	452-0998	2" Thermal Relief Fuel Cap	1

UNLESS OTHERWISE SPECIFIED: DIMENSIONS ARE IN INCHES TOLERANCES: FRACTIONAL \pm 1/16 ANGULAR: MACH \pm 1° BEND \pm 1° TWO PLACE DECIMAL \pm .06 THREE PLACE DECIMAL \pm .031	DRAWN	NAME	DATE	PROPOWER MFG. INC. WINDSOR, ONTARIO, CANADA Ph: 519-737-1197 Fax: 519-737-1918 TOLL FREE 1-877-741-2365 Web: metaltanks.com	
	CHECKED	A.B	04/20/20		
	ENG APPR.				TITLE:
	MFG APPR.				ST-L21-22RFS35 66 US gal DIESEL FUEL TANK
INTERPRET GEOMETRIC TOLERANCING PER:	COMMENTS:			SIZE DWG. NO.	
MATERIAL	HRPO STEEL			C 26050	
FINISH	THIRD ANGLE PROJECTION			REV	
DO NOT SCALE DRAWING				SCALE: 1:8 WEIGHT: 111 LBS SHEET 1 OF 1	

PROPRIETARY AND CONFIDENTIAL
 THE INFORMATION CONTAINED IN THIS DRAWING IS THE SOLE PROPERTY OF PROPOWER MFG. INC. ANY REPRODUCTION IN PART OR AS A WHOLE WITHOUT THE WRITTEN PERMISSION OF PROPOWER MFG. INC. IS PROHIBITED.