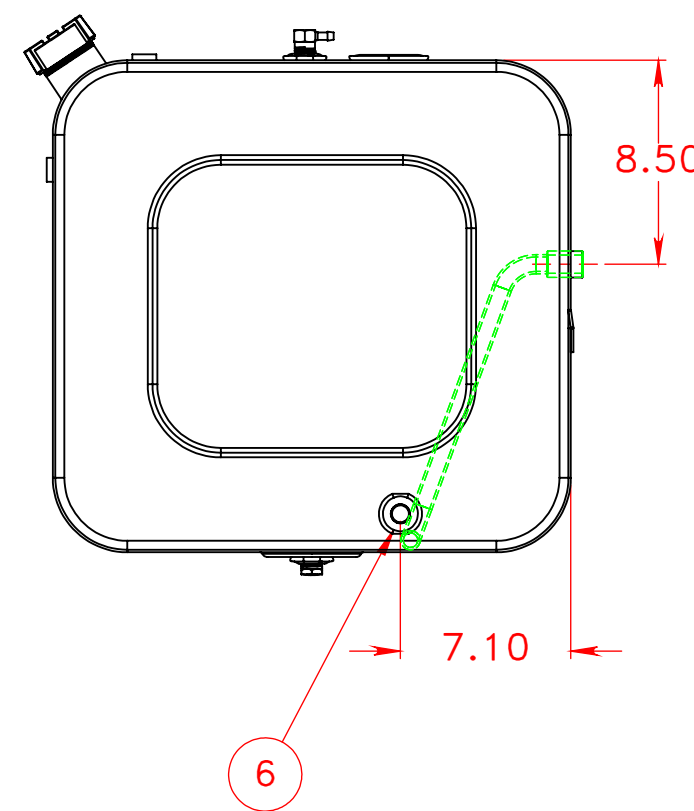
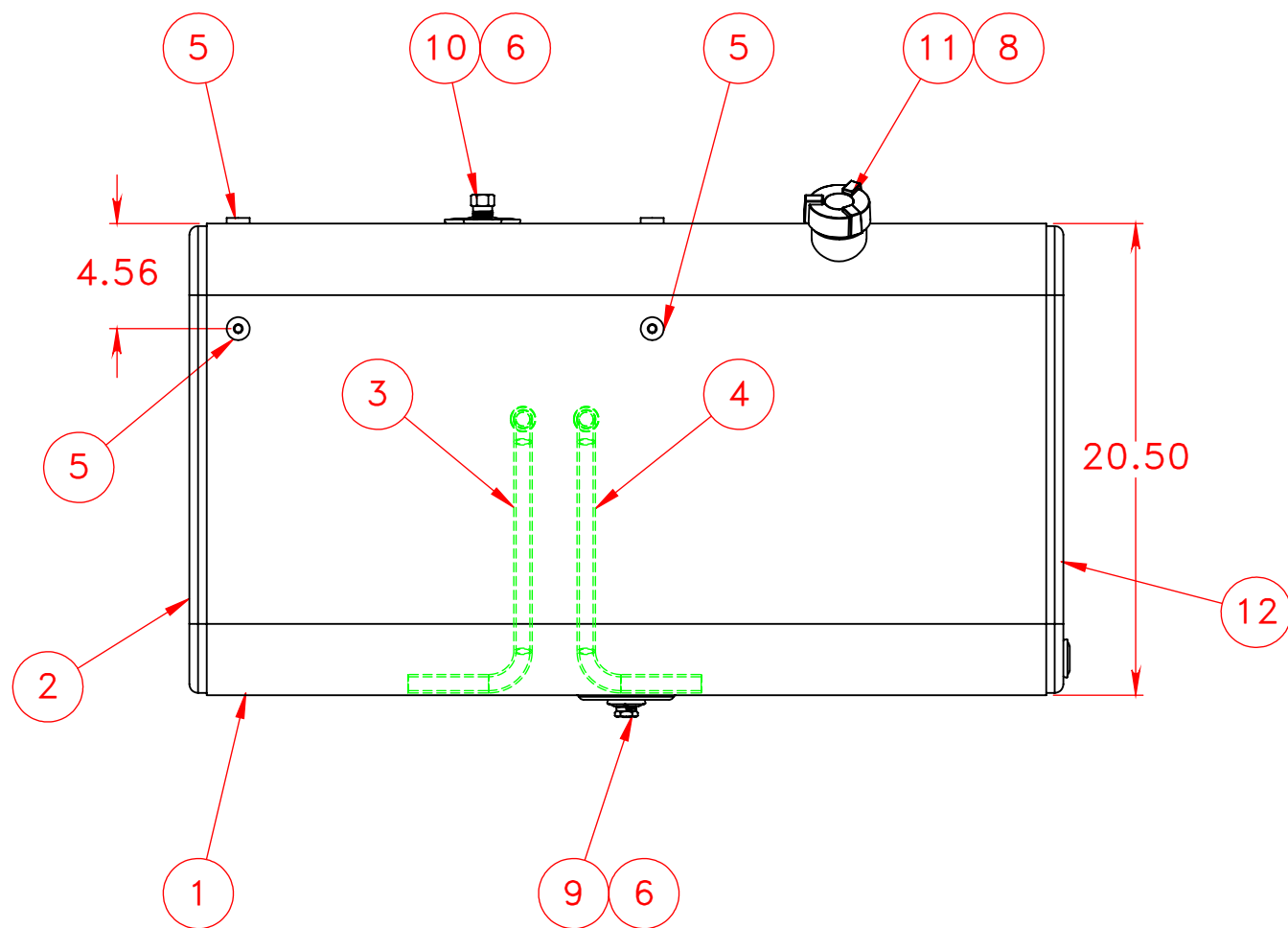
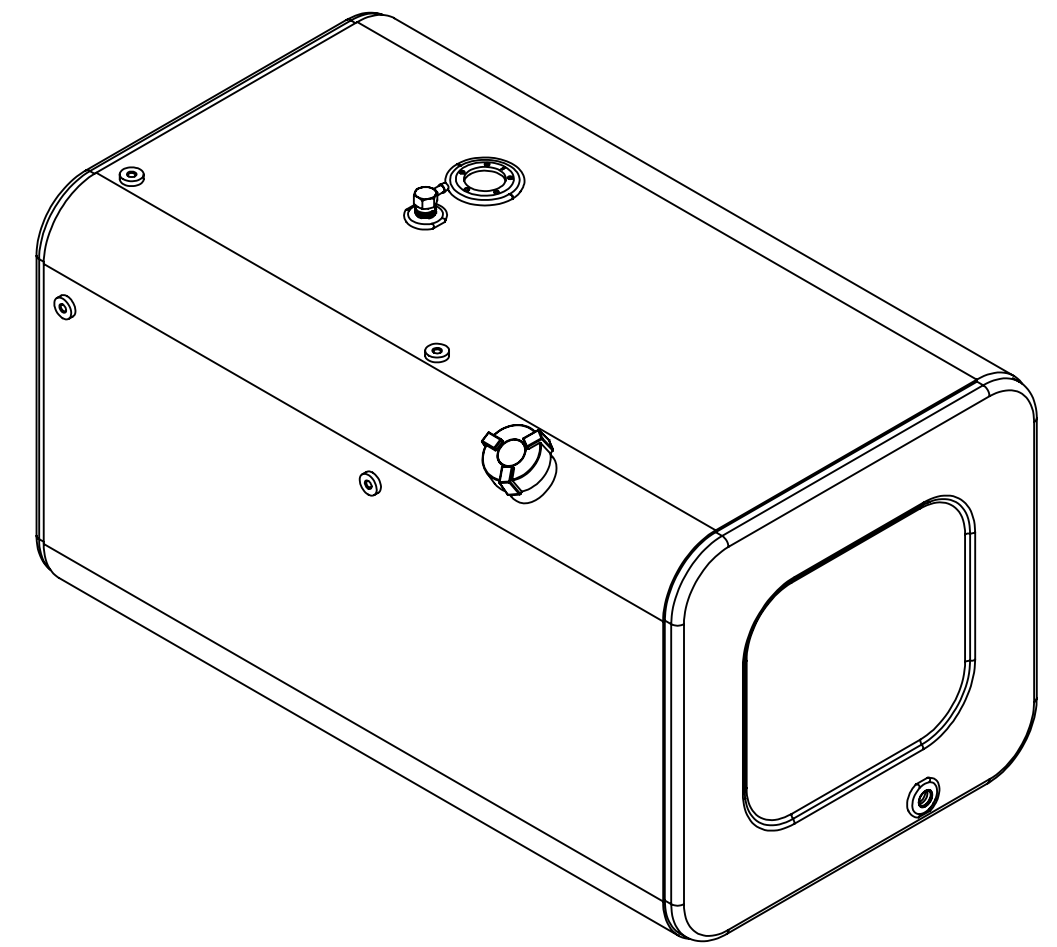


DETAIL A
SCALE 1 : 2



NOTES FOR STANDARD CONSTRUCTION:

- ...PRESSURE TESTED @ 5psi PER FMCSA
- ...INTERIOR FREE OF FOREIGN MATTER.
- ...FILLER CAP, DRAIN PLUG, DRAW TUB & VENT PROVIDED.
- ...STEEL CONSTRUCTION 12ga HRPO
- ...STEEL FINISH;
SEMI-GLOSS BLACK ENAMEL APPLIED.
- ...ALL OPENINGS PLUGGED & THE INTERIOR FOGGED
WITH ANTI-CORROSION OIL PRIOR TO SHIPPING

ITEM NO.	PART NUMBER	DESCRIPTION	QTY.
1	126-0610	12 ga HRPO Steel Wrap	1
2	170-0022	20.5x21.59 Head	1
3	490-0107	3/8" NPT Return Tube	1
4	490-0107	1/2" NPT Draw Tube	1
5	227-0001	Step Boss	4
6	270-0007	1/2" FNPT Steel weld flange	3
7	275-0002	Steel Float Riser	1
8	326-004	2" Filler Neck	1
9	458-0100	1/2" NPT Ball Check Drain Plug	1
10	454-0937	1/2" NPT Ball Check Vent	1
11	452-0998	2" Thermal Relief Fuel Cap	1
12	170-0022	20.5x21.59 Head 1/2" npt Crossover	1

PROPRIETARY AND CONFIDENTIAL
THE INFORMATION CONTAINED IN THIS DRAWING IS THE SOLE PROPERTY OF PROPOWER MFG. INC. ANY REPRODUCTION IN PART OR AS A WHOLE WITHOUT THE WRITTEN PERMISSION OF PROPOWER MFG. INC. IS PROHIBITED.

UNLESS OTHERWISE SPECIFIED:	DRAWN	NAME	DATE
DIMENSIONS ARE IN INCHES	CHECKED	A.B	11/16/16
TOLERANCES:	ENG APPR.		
FRACTIONAL ± 1/16	MFG APPR.		
ANGULAR: MACH ± 1° BEND ± 1°	Q.A.		
TWO PLACE DECIMAL ± .06	COMMENTS:		
THREE PLACE DECIMAL ± .031			
INTERPRET GEOMETRIC TOLERANCING PER:			
MATERIAL	HRPO STEEL		
FINISH			
DO NOT SCALE DRAWING	THIRD ANGLE PROJECTION		

PROPOWER MFG. INC.
WINDSOR, ONTARIO, CANADA
Ph: 519-737-1197 Fax: 519-737-1918
TOLL FREE 1-877-741-2365 Web: metaltanks.com

TITLE:
ST-L21-22RFS38-F
68 US gal DIESEL FUEL TANK

SIZE DWG. NO. REV
C 21478

SCALE: 1:8 WEIGHT: SHEET 1 OF 1